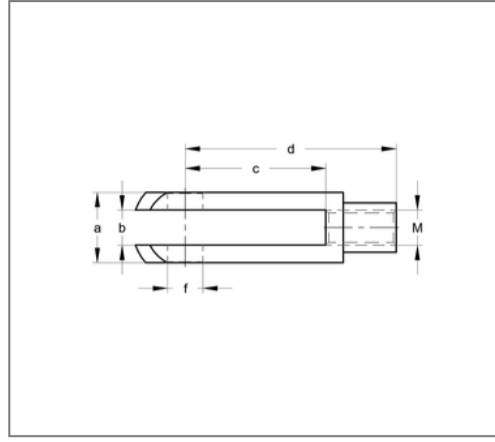
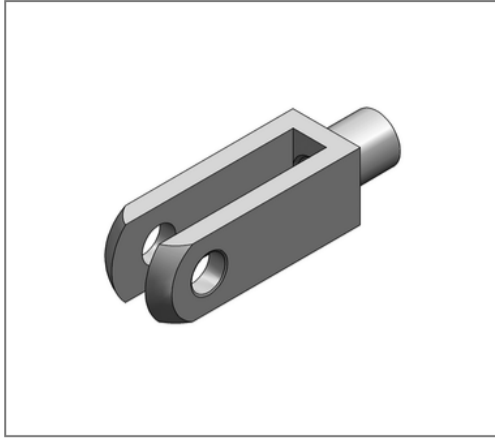


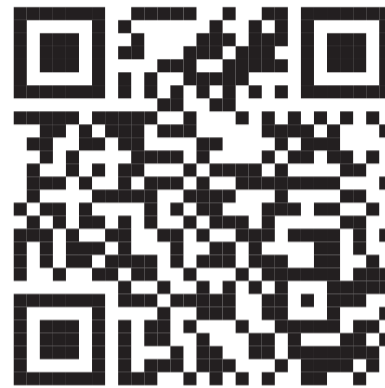
■ U-head M12 DIN 71752 12x48 mm



Commercial details

Part no.	1660007312
EAN/GTIN	4250928449498
Packing unit	10 pcs
Quantity unit	pcs
Weight	0,175 kg/pc
Product group	14-166
Price unit	1

QR code



Specification

Application area	Accessories for the tension rod system or hanger chain.
------------------	---

Technical data

Material	Steel
Surface	galvanized
Corrosion category	C2 very high
Surrounding area	Indoor area

Product details

Height	24 mm
Load F_z	20 kN
Thread	M12
Hole-Ø	12 mm
Edge distance hole c	48 mm
Edge distance hole d	72 mm
Slot height	12 mm