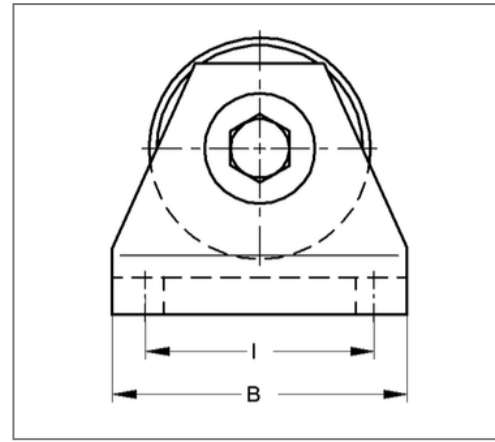
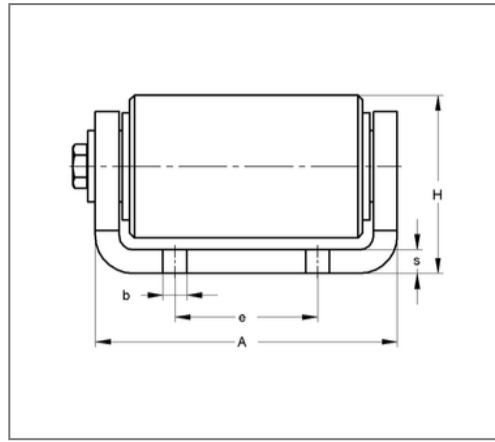
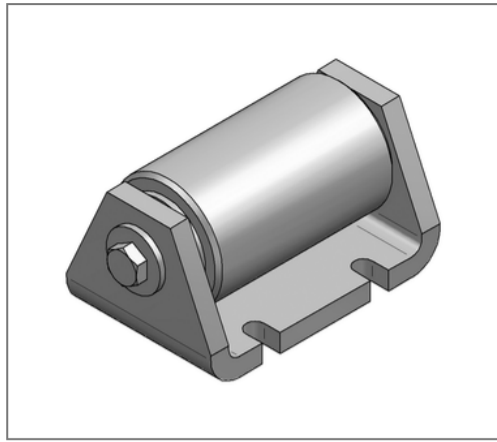


## ■ Roller bearing single axial Roller width 70 mm hot-dip galv.



### Commercial details

Part no.	150sf060070
EAN/GTIN	4250928435347
Packing unit	1 pcs
Quantity unit	pcs
Weight	1,00 kg/pc
Product group	14-150
Price unit	1

### QR code



### Specification

Application area	Roller bearing in single design for supporting heavy pipelines.
------------------	---

### Technical data

Material	Steel
Material type	S235
Surface	hot-dip galvanized
Corrosion category	C4 high / C5 medium
Surrounding area	Indoor and outdoor areas

### Product details

Height	50 mm
Load $F_z$	5 kN
Length	94 mm
Hole- $\emptyset$	8 mm
Material thickness	6 mm
Safety factor	1,54
Hole distance lengthwise	50 mm
Hole distance crosswise	45 mm
Width without lugs	60 mm