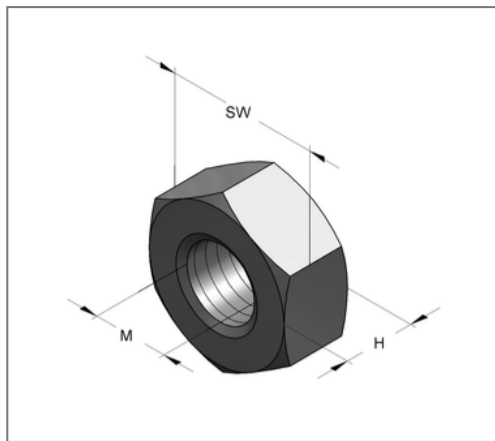
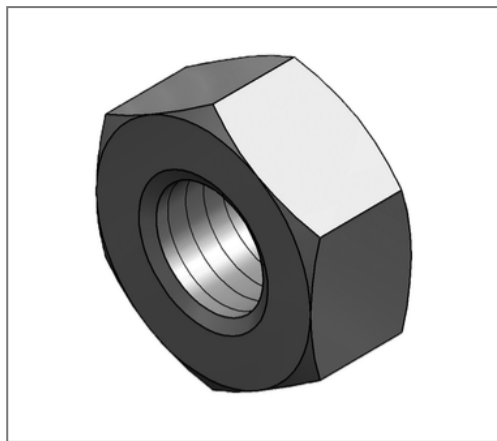


## ■ Hexagon nut Steel hot-dip galv. M10 SW 17



### Commercial details

Part no.	4120477/fvz
EAN/GTIN	4250928457141
Packing unit	100 pcs
Quantity unit	pcs
Weight	0,0120 kg/pc
Product group	05-412
Price unit	100

### QR code



### Certification



### Technical data

Material	Steel
Surface	hot-dip galvanized
Corrosion category	C4 high / C5 medium
Surrounding area	Indoor and outdoor areas
Strength class	8
Norm	DIN 934

### Product details

Height H	8 mm
Thread M	M10
Wrench size SW	17