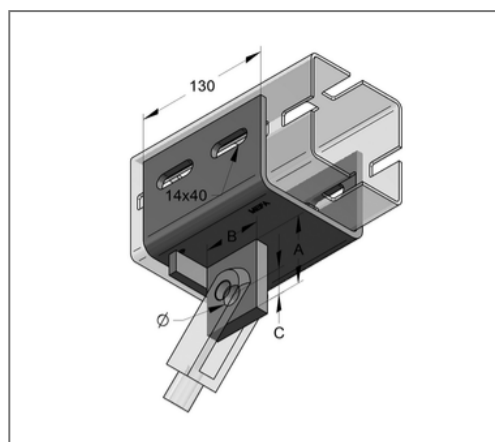
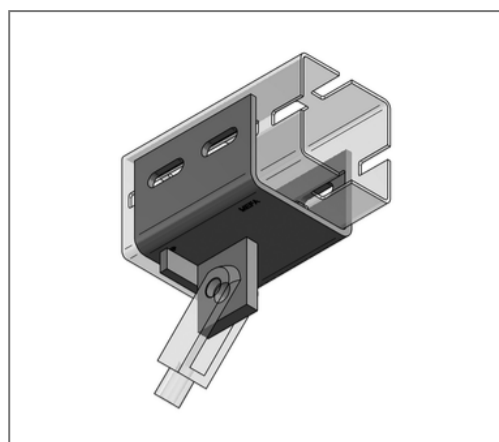


## ■ Tension rod M12 for profile type XL 120



### Commercial details

Part no.	1621204010
EAN/GTIN	4250928449634
Packing unit	1 pcs
Quantity unit	pcs
Weight	2,21 kg/pc
Product group	14-166
Price unit	1

### QR code



### Specification

Application	For connection between CENTUM® mounting area
Profile type	XL 120
Number of fixing holes	4 pcs

### Technical data

Material	Steel
Material type	S235
Surface	hot-dip galvanized
Corrosion category	C4 high / C5 medium
Surrounding area	Indoor and outdoor areas

### Product details

Connection G	M12
Width	133 mm
Height H	86 mm
Load $F_z$	20 kN
Length	130 mm
Hole-Ø	14 mm
Elongated hole	14x40 mm
Thickness	6 mm
Height till hole h	60 mm