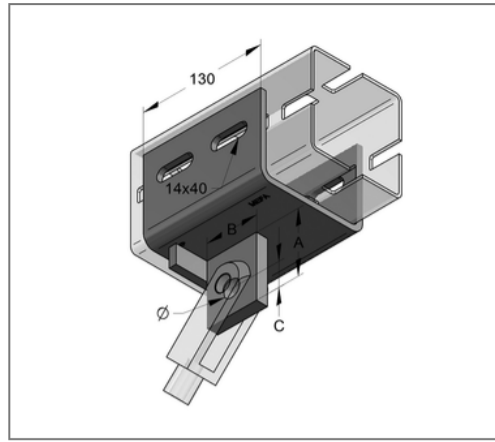
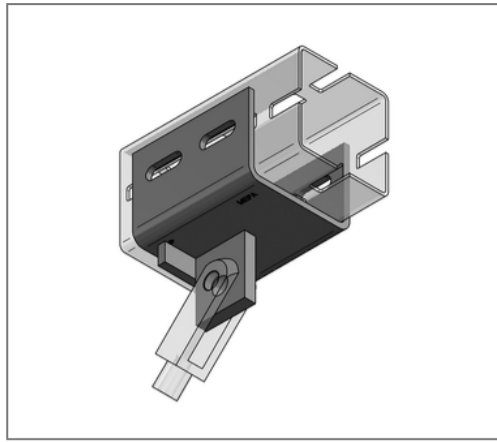


■ Tension rod M16 for profile type XL 100, XL 200



Commercial details

Part no.	1621004011
EAN/GTIN	4250928449627
Packing unit	1 pcs
Quantity unit	pcs
Weight	2,17 kg/pc
Product group	14-166
Price unit	1

QR code



Specification

Application	For connection between CENTUM® mounting area
Profile type	XL 100, XL 200
Number of fixing holes	4 pcs

Technical data

Material	Steel
Material type	S235
Surface	hot-dip galvanized
Corrosion category	C4 high / C5 medium
Surrounding area	Indoor and outdoor areas

Product details

Connection G	M16
Width	113 mm
Height H	96 mm
Load F_z	20 kN
Length	130 mm
Hole-Ø	18 mm
Elongated hole	14x40 mm
Thickness	6 mm
Height till hole h	50 mm