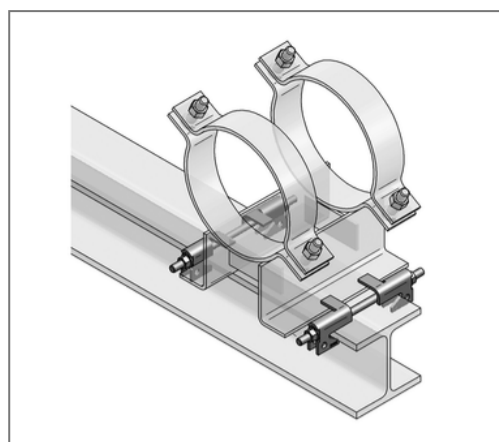


■ Guiding clamp Type 2AC I for IPE 140-220



Commercial details

Part no.	14712002
EAN/GTIN	4250928449856
Packing unit	1 set
Quantity unit	set
Weight	1,75 kg/set
Product group	14-147
Price unit	1

QR code



Certification



Specification

Application area	For guiding of sliding sledges and sliding supports on steel girders.
Number of PE sliding stripes	2

Technical data

Material	Steel
Material type	S235
Surface	hot-dip galvanized
Corrosion category	C4 high / C5 medium
Surrounding area	Indoor and outdoor areas
Safety factor	1,54
Tightening torque	64 Nm
min. temperature resistance	-200 °C
max. temperature resistance	80 °C

Product details

Type	with lift lock
Threaded rod type	M12 x 220
Load F_z	1,75 kN
Load F_x	4 kN
max. thickness sliding plate for beam IPE	12 mm
Static friction factor	0,15

Remark

Delivery time	on demand
---------------	-----------