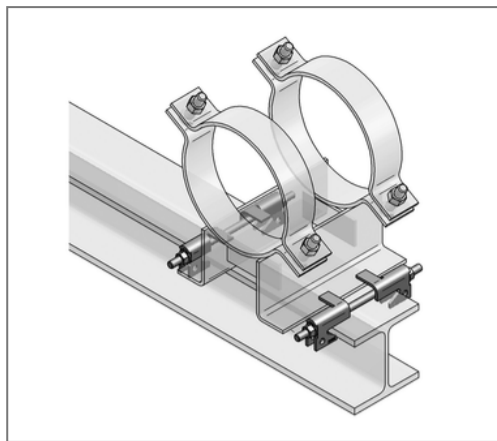


## ■ Guiding clamp Type A II for HEA 160-180 HEB 140-160 IPE 270-330



### Commercial details

|               |               |
|---------------|---------------|
| Part no.      | 14710002      |
| EAN/GTIN      | 4250928432452 |
| Packing unit  | 1 set         |
| Quantity unit | set           |
| Weight        | 1,57 kg/set   |
| Product group | 14-147        |
| Price unit    | 1             |

### QR code



### Certification



### Specification

|                              |   |
|------------------------------|---|
| Application area             | For guiding of sliding sledges and sliding supports on steel girders. |
| Number of PE sliding stripes | 0   |

### Technical data

|                             |                          |
|-----------------------------|--------------------------|
| Material                    | Steel                    |
| Material type               | S235                     |
| Surface                     | hot-dip galvanized       |
| Corrosion category          | C4 high / C5 medium      |
| Surrounding area            | Indoor and outdoor areas |
| Safety factor               | 1,54                     |
| Tightening torque           | 64 Nm                    |
| min. temperature resistance | -200 °C                  |
| max. temperature resistance | 80 °C                    |

### Product details

|                              |                |
|------------------------------|----------------|
| Type                         | with lift lock |
| Threaded rod type            | M12 x 270      |
| Load $F_z$                   | 3,5 kN         |
| Load $F_x$                   | 4 kN           |
| max. thickness sliding plate | 18 mm          |
| for beam HEA                 | 160-180        |
| for beam HEB                 | 140-160        |
| for beam IPE                 | 270-330        |

### Remark

|               |           |
|---------------|-----------|
| Delivery time | on demand |
|---------------|-----------|