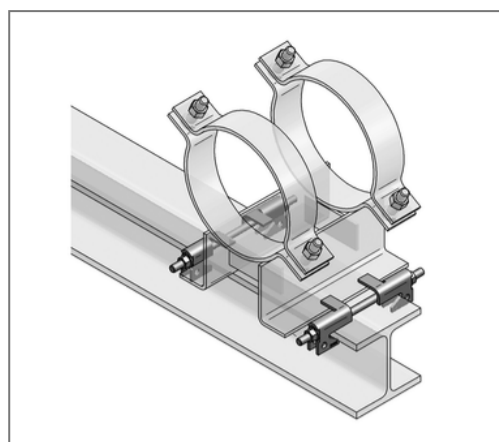


■ Guiding clamp Type A I for HEA 100-140 HEB 100-120 IPE 200-240



Commercial details

Part no.	14710001
EAN/GTIN	4250928432445
Packing unit	1 set
Quantity unit	set
Weight	1,50 kg/set
Product group	14-147
Price unit	1

QR code



Certification



Specification

Application area	For guiding of sliding sledges and sliding supports on steel girders.
Number of PE sliding stripes	0

Technical data

Material	Steel
Material type	S235
Surface	hot-dip galvanized
Corrosion category	C4 high / C5 medium
Surrounding area	Indoor and outdoor areas
Safety factor	1,54
Tightening torque	64 Nm
min. temperature resistance	-200 °C
max. temperature resistance	80 °C

Product details

Type	with lift lock
Threaded rod type	M12 x 220
Load F_z	3,5 kN
Load F_x	4 kN
max. thickness sliding plate	18 mm
for beam HEA	100-140
for beam HEB	100-120
for beam IPE	200-240

Remark

Delivery time	on demand
---------------	-----------