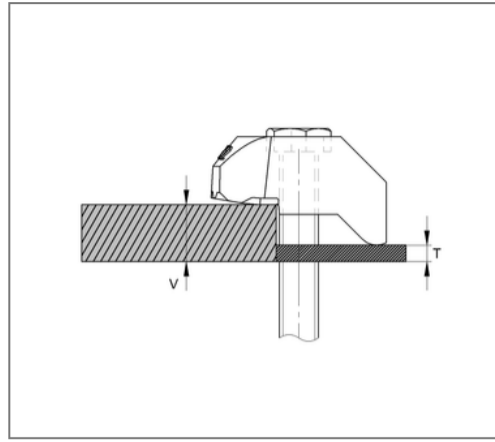
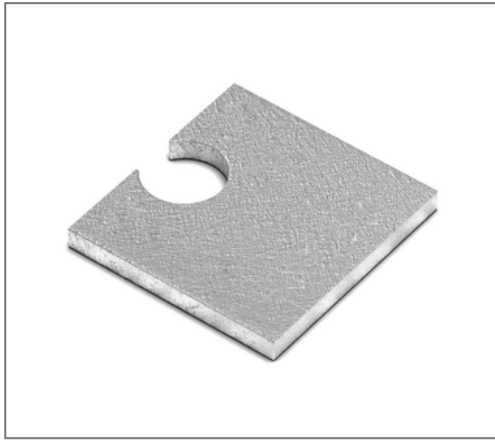


■ Spacer plate CENTUM Clamping claw AF Type 16 CW Thickness 2 mm for AF M16



Commercial details

Part no.	0576016
EAN/GTIN	4250928414526
Packing unit	1 pcs
Quantity unit	pcs
Weight	0,0400 kg/pc
Product group	14-166
Price unit	1

QR code



Certification



Specification

Application For raising clamping thickness of CENTUM®
area clamping claw type AF.

Technical data

Material	Spherulitic cast iron
Surface	hot-dip galvanized
Corrosion category	C4 high / C5 medium
Surrounding area	Indoor and outdoor areas

Product details

Width	50 mm
Length	48 mm
Thickness T for thread	2 mm M16
Type	16 CW

Remark

Delivery time on demand