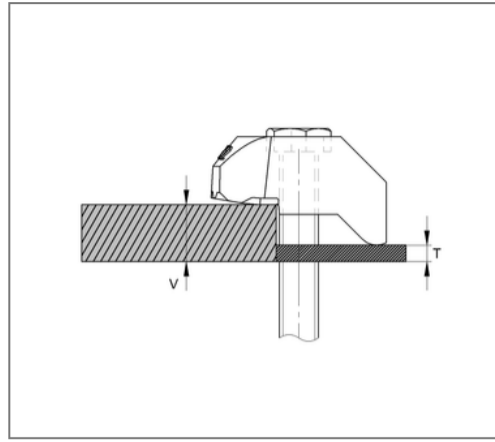
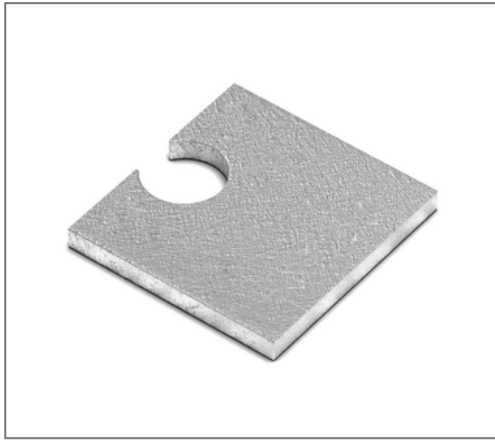


# ■ Spacer plate CENTUM Clamping claw AF Type 12 CW Thickness 2 mm for AF M12



## Commercial details

Part no.	0576012
EAN/GTIN	4250928414519
Packing unit	1 pcs
Quantity unit	pcs
Weight	0,0300 kg/pc
Product group	14-166
Price unit	1

## QR code



## Certification



## Specification

Application For raising clamping thickness of CENTUM®  
area clamping claw type AF.

## Technical data

Material	Spherulitic cast iron
Surface	hot-dip galvanized
Corrosion category	C4 high / C5 medium
Surrounding area	Indoor and outdoor areas

## Product details

Width	40 mm
Length	40 mm
Thickness T for thread	2 mm M12
Type	12 CW

## Remark

Delivery time on demand