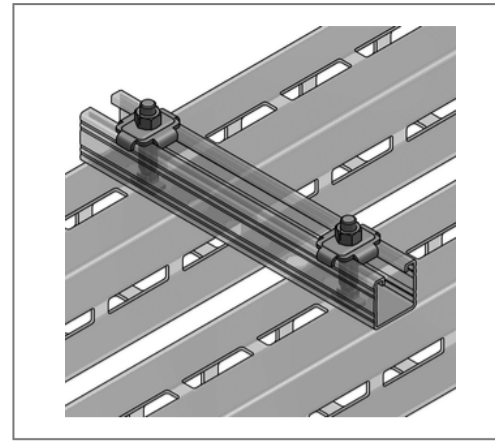
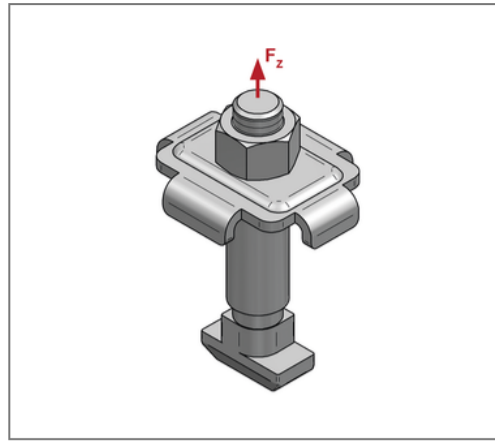
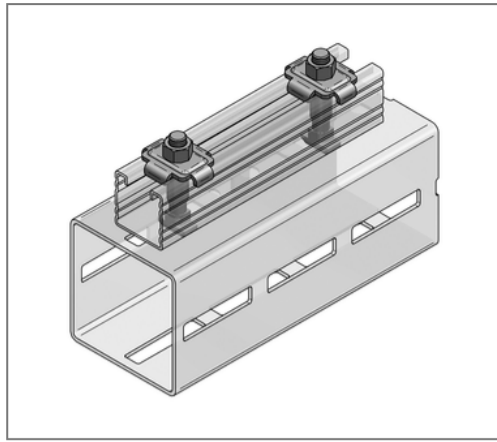


■ C-profile connector CENTUM for profile heights 60 mm



Commercial details

Part no.	1640017060
EAN/GTIN	4250928436948
Packing unit	1 pcs
Quantity unit	pcs
Weight	0,180 kg/pc
Product group	14-164
Price unit	1

QR code



Specification

Application area	IB connection for axis-parallel mounting of profile rails 45 on a CENTUM® square profile.
Profile type	XL 80, XL 100, XL 120, XL 200
Threaded pin type	M12x35
Scope of delivery	T-lock bold, head profile, hexagon nut
T-lock bold type	M12 x 35

Technical data

Material	Steel
Material type	S235
Surface	galvanized
Corrosion category	C2 very high
Surrounding area	Indoor area

Product details

Load F_z	2 kN
Thread	M12
Tightening torque	10 Nm
Overall length	90 mm
for profile heights	60 mm