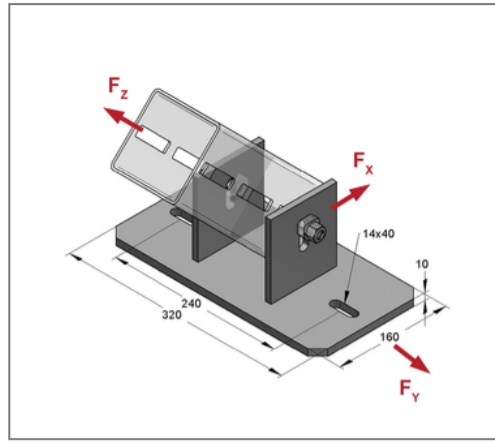
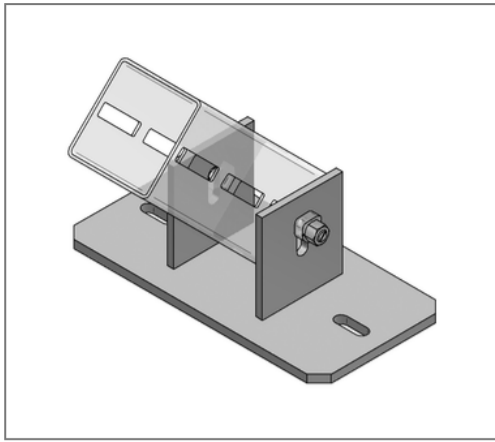


■ Joint holder CENTUM XL 100 Plate horizontal max. angle 90 °



Commercial details

Part no.	1641004020
EAN/GTIN	4250928437013
Packing unit	1 pcs
Quantity unit	pcs
Weight	5,72 kg/pc
Product group	14-164
Price unit	1

QR code



Certification



Specification

Profile type	XL 100, XL 120
Tightening torque	120 Nm
Angle	90 °

Technical data

Material	Steel
Material type	S235
Surface	hot-dip galvanized
Corrosion category	C4 high / C5 medium
Surrounding area	Indoor and outdoor areas

Product details

Load F_x	11 kN
Load F_y	11 kN
Load F_z	32 kN
Width plate	160 mm
Length plate	320 mm
Alignment of plate	horizontal
Plate thickness	10 mm
Elongated hole plate	14x40 mm