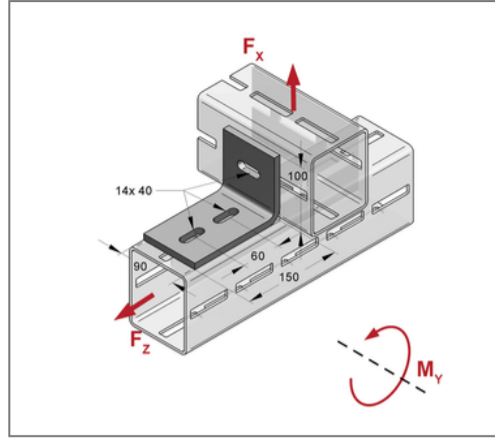
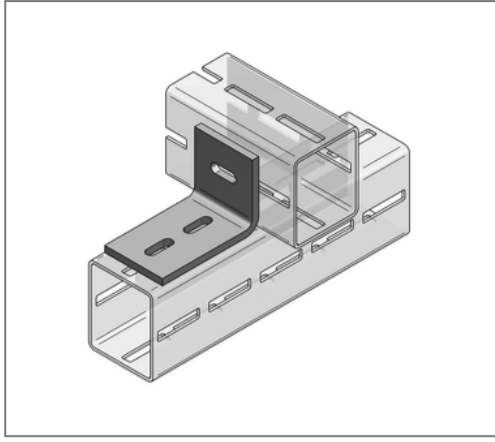


## ■ Angle 3-hole CENTUM XL 120 horizontal 90 ° Wing 150 x 100 mm



### Commercial details

Part no.	1641201012
EAN/GTIN	4250928450432
Packing unit	1 pcs
Quantity unit	pcs
Weight	1,68 kg/pc
Product group	14-164
Price unit	1

### QR code



### Certification



### Specification

Application area	Angle components for connecting CENTUM® square profile.
Specification	horizontal
Profile	CENTUM

### Technical data

Material	Steel
Material type	S235
Surface	hot-dip galvanized

### Product details

Elongated hole	14x40 mm
Profile type	XL 120
Material thickness	10 mm
Width material	90 mm
Length wing 1	150 mm
Length wing 2	100 mm
Angle	90 °