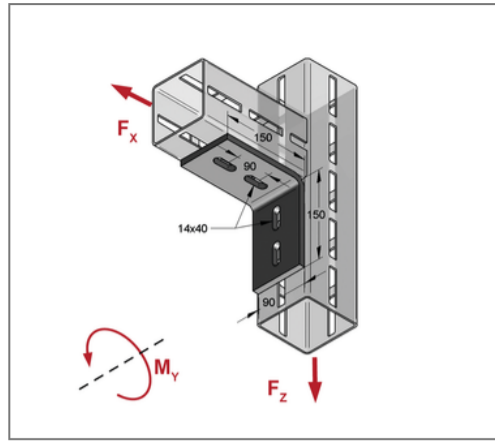
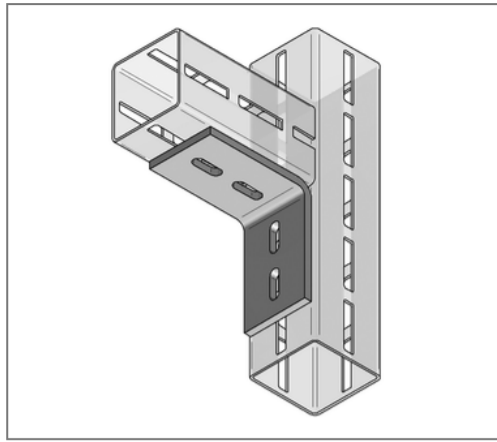


■ CENTUM Angle 4-hole XL 100 90 ° Wing 150 x 150 mm



Commercial details

Part no.	1640001020
EAN/GTIN	4250928436856
Packing unit	1 pcs
Quantity unit	pcs
Weight	2,02 kg/pc
Product group	14-164
Price unit	1

QR code



Certification



Specification

Application	Angle components for connecting CENTUM® area
Profile	CENTUM

Technical data

Material	Steel
Material type	S235
Surface	hot-dip galvanized

Product details

Elongated hole	14x40 mm
Profile type	XL 100, XL 120, XL 200
Material thickness	10 mm
Width material	90 mm
Length wing 1	150 mm
Length wing 2	150 mm
load F_x	6 kN
load F_z	32 kN
limited torque M_y	0,5 kNm
Angle	90 °