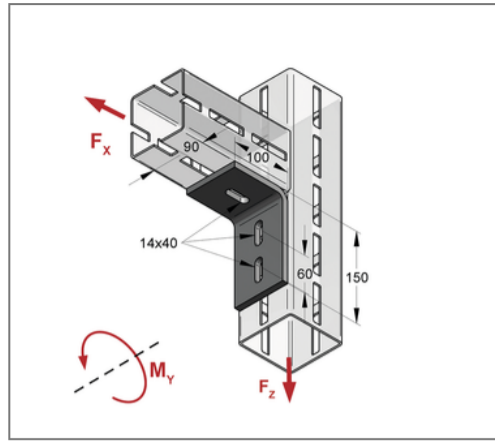
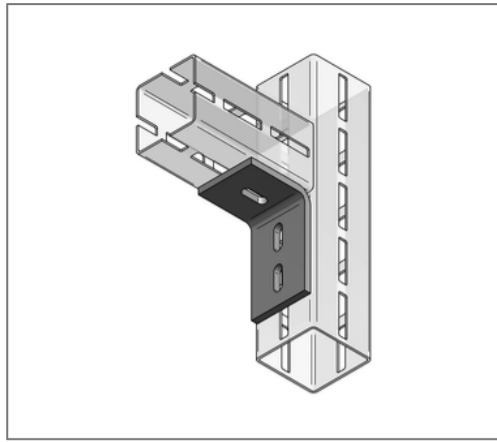


■ CENTUM Angle 3-hole XL 100 90 ° Wing 150 x 100 mm



Commercial details

Part no.	1640001010
EAN/GTIN	4250928436832
Packing unit	1 pcs
Quantity unit	pcs
Weight	1,68 kg/pc
Product group	14-164
Price unit	1

QR code



Certification



Specification

Application area	Angle components for connecting CENTUM® square profile.
Profile	CENTUM
Recommended accessories	CENTUM® T-lock plus M12x40, dowel

Technical data

Material	Steel
Surface	hot-dip galvanized
Corrosion category	C4 high / C5 medium
Surrounding area	Indoor and outdoor areas

Product details

Elongated hole	14x40 mm
Profile type	XL 100, XL 120, XL 200
Material thickness	10 mm
Width material	90 mm
Length wing 1	150 mm
Length wing 2	100 mm
Load F_x	6 kN
Load F_z	32 kN
Limited torque M_y	0,5 kNm
Angle	90 °