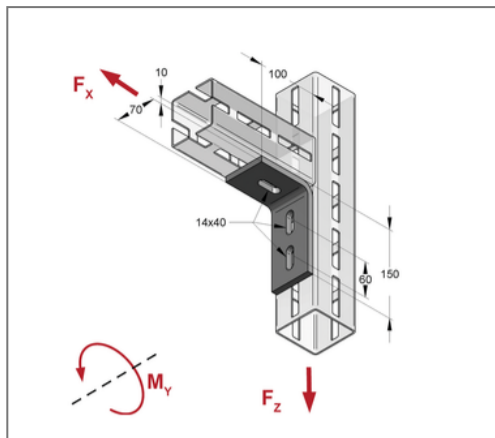
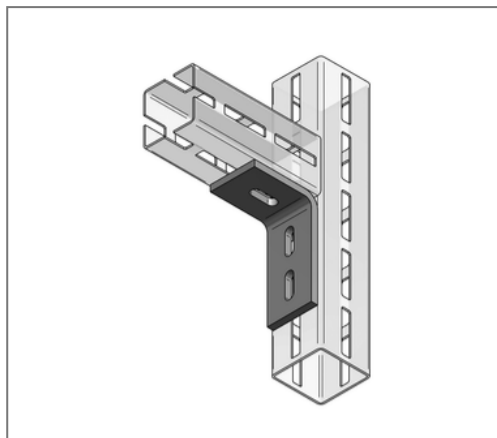


■ CENTUM Angle 3-hole XL 80 90 ° Wing 150 x 100 mm



Commercial details

Part no.	1640081010
EAN/GTIN	4250928450418
Packing unit	1 pcs
Quantity unit	pcs
Weight	1,28 kg/pc
Product group	14-164
Price unit	1

QR code



Certification



Specification

Application area	Angle components for connecting CENTUM® square profile.
Profile	CENTUM
Recommended accessories	CENTUM® T-lock plus M12x40, dowel

Technical data

Material	Steel
Surface	hot-dip galvanized
Corrosion category	C4 high / C5 medium
Surrounding area	Indoor and outdoor areas

Product details

Elongated hole	14x40 mm
Profile type	XL 80
Material thickness	10 mm
Width material	70 mm
Length wing 1	150 mm
Length wing 2	100 mm
Load F_x	5,2 kN
Load F_z	32 kN
Limited torque M_y	0,4 kNm
Angle	90 °