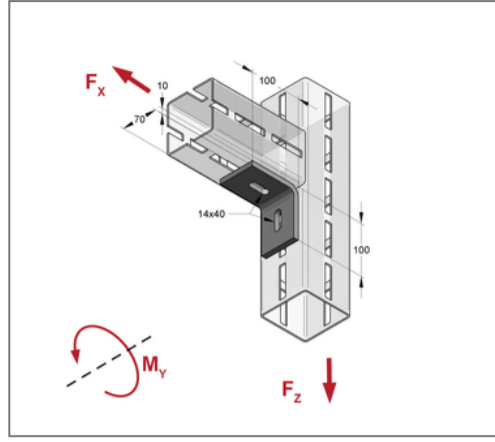
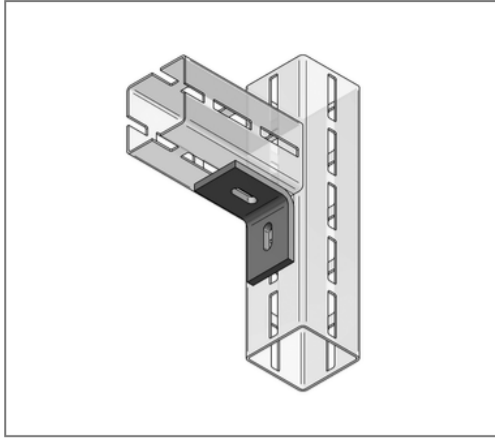


## ■ CENTUM Angle 2-hole XL 80 90 ° Wing 100 x 100 mm



### Commercial details

Part no.	1640081005
EAN/GTIN	4250928450401
Packing unit	1 pcs
Quantity unit	pcs
Weight	1,02 kg/pc
Product group	14-164
Price unit	1

### QR code



### Certification



### Specification

Application area	Angle components for connecting CENTUM® square profile.
Profile	CENTUM
Recommended accessories	CENTUM® T-lock plus M12x40, dowel

### Technical data

Material	Steel
Surface	hot-dip galvanized
Corrosion category	C4 high / C5 medium
Surrounding area	Indoor and outdoor areas

### Product details

Elongated hole	14x40 mm
Profile type	XL 80
Material thickness	8 mm
Width material	70 mm
Length wing 1	100 mm
Length wing 2	100 mm
Load $F_x$	3 kN
Load $F_z$	16 kN
Limited torque $M_y$	0,4 kNm
Angle	90 °