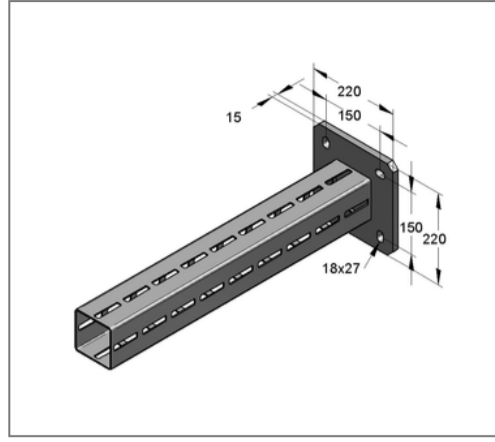
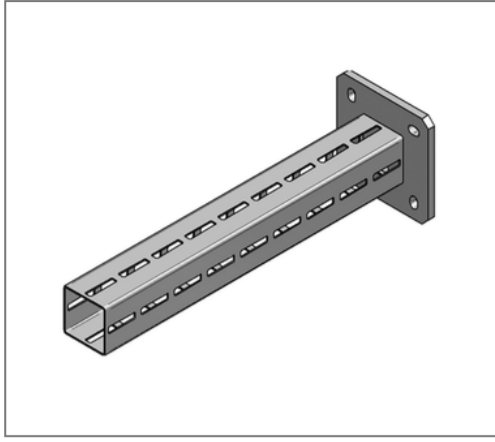


■ Console CENTUM XL 100 L= 1440 mm hot-dip galv.



Commercial details

Part no.	1631001440
EAN/GTIN	4250928436795
Packing unit	1 pcs
Quantity unit	pcs
Weight	18,02 kg/pc
Product group	14-163
Price unit	1

QR code



Certification



Specification

Application area	Console for the production of cantilever structures for the support of suspended and standing pipe loads.
------------------	---

Technical data

Material	Steel
Surface	hot-dip galvanized

Product details

Width plate	220 mm
Length plate	220 mm
Hole distance	150 mm
Plate thickness	15 mm
Width profile	100 mm
Profile height	100 mm
Length console L	1440 mm
Elongated hole plate	27x18 mm
load F1	8,08 kN
load F2	4,58 kN
load q0	5,61 kN/m
Profile thickness	3 mm