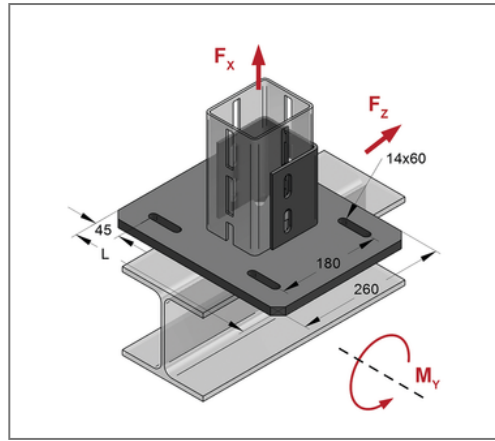
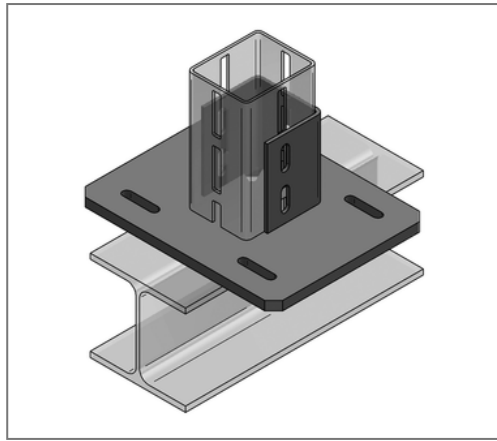


■ Girder fixation CENTUM vertical Size 3 for XL 120 hot-dip galv.



Commercial details

Part no.	162120203
EAN/GTIN	4250928458391
Packing unit	1 pcs
Quantity unit	pcs
Weight	14,99 kg/pc
Product group	14-162
Price unit	1

QR code



Certification



Specification

Application	holder for fastening of CENTUM® profile to a steel T-beam.
Profile type	XL 120
Profile	CENTUM

Technical data

Material	Steel
Material type	S235
Surface	hot-dip galvanized

Product details

Loading capacity	see loads in the catalogue
Elongated hole	14x60 mm
Length plate L	424 mm
Width plate	260 mm
Plate thickness	15 mm
Alignment of plate	vertical
max. profile height	120 mm
for min. beam width	240 mm
for max. beam width	320 mm

Remark

Note	delivery time on demand
------	-------------------------