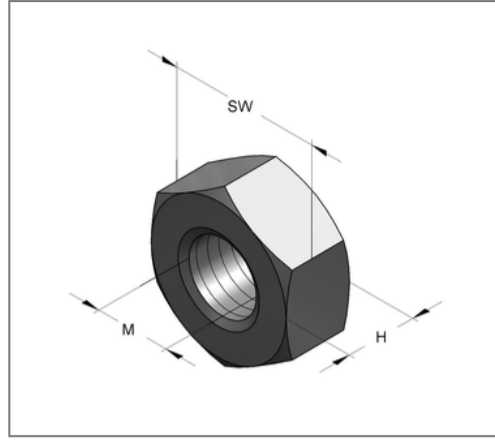
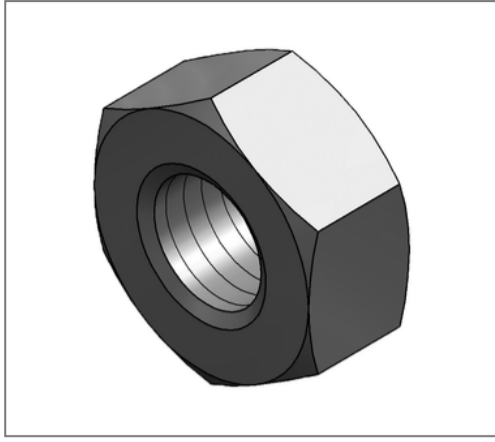


■ Hexagon nut Steel ZnNi M12 SW 19



Commercial details

Part no.	8989995/zn
EAN/GTIN	4250928448439
Packing unit	100 pcs
Quantity unit	pcs
Weight	0,0165 kg/pc
Product group	14-161
Price unit	100

QR code



Certification



Specification

Application area	Accessories for CENTUM® T-lock and CENTUM® T-lock bolt.
------------------	---

Technical data

Material	Steel
Surface	Zinc-Nickel
Corrosion category	C4 high / C5 medium
Surrounding area	Indoor and outdoor areas
Strength class	10
Norm	DIN 934

Product details

Thread M	M12
Wrench size SW	19