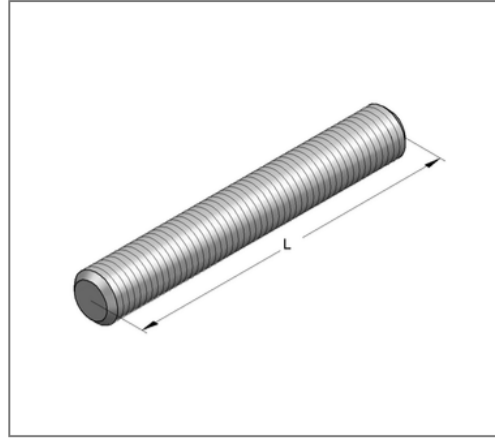
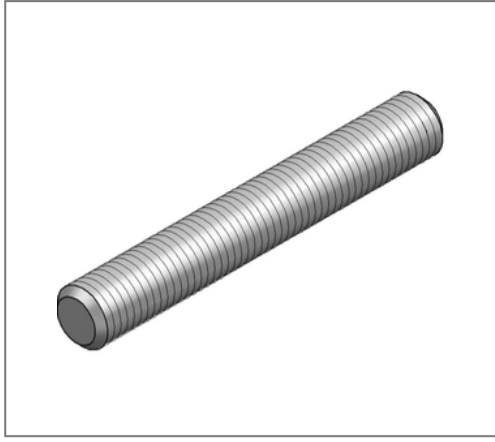


■ Threaded pin DIN 976-1 V2A M12 x 50 mm



Commercial details

| | |
|---------------|---------------|
| Part no. | 0732550 |
| EAN/GTIN | 4250928416902 |
| Packing unit | 50 pcs |
| Quantity unit | pcs |
| Weight | 0,0372 kg/pc |
| Product group | 13-048 |
| Price unit | 100 |

QR code



Certification



Technical data

| | |
|------------------|--------------------------|
| Material | Stainless steel |
| Material type | V2A |
| Surrounding area | Indoor and outdoor areas |

Product details

| | |
|--------------|----------|
| Thread | M12 |
| Length L | 50 mm |
| Tension load | 36,11 kN |