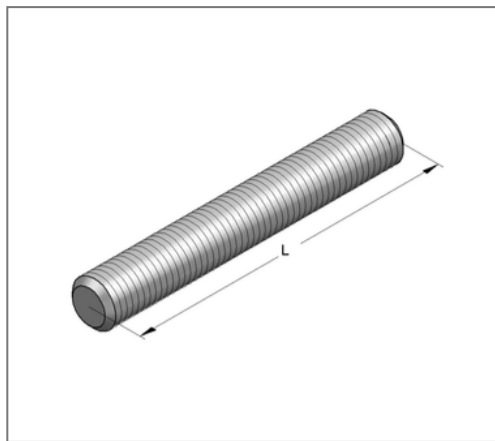
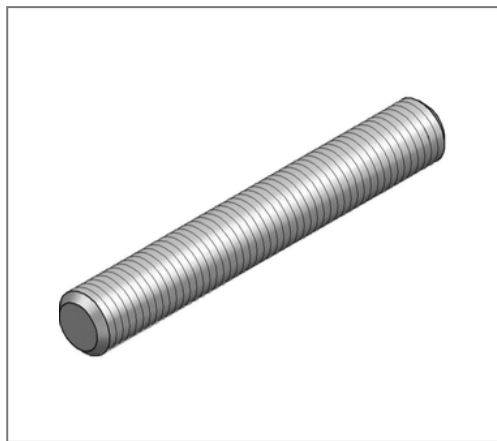


## ■ Threaded pin DIN 976-1 V2A M10 x 70 mm



### Commercial details

Part no.	0732370
EAN/GTIN	4250928416889
Packing unit	100 pcs
Quantity unit	pcs
Weight	0,0362 kg/pc
Product group	13-048
Price unit	100

### QR code



### Certification



### Technical data

Material	Stainless steel
Material type	V2A
Surrounding area	Indoor and outdoor areas

### Product details

Thread	M10
Length L	70 mm
Tension load	24,85 kN