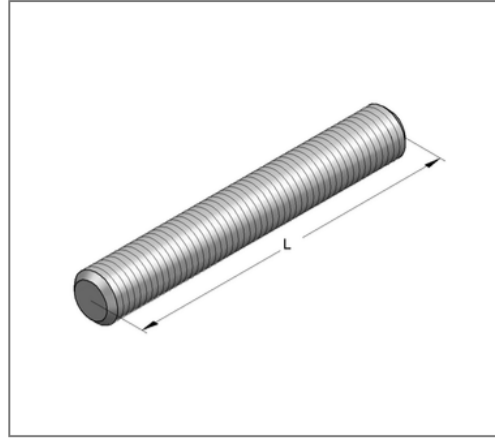
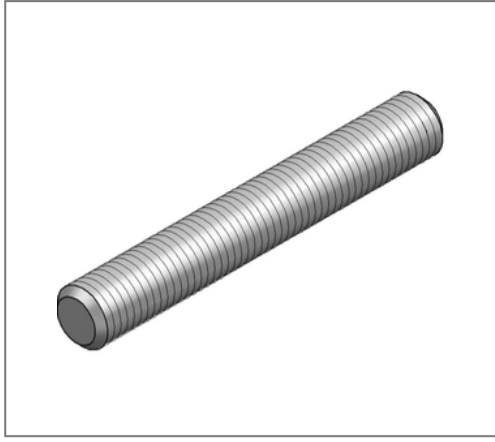


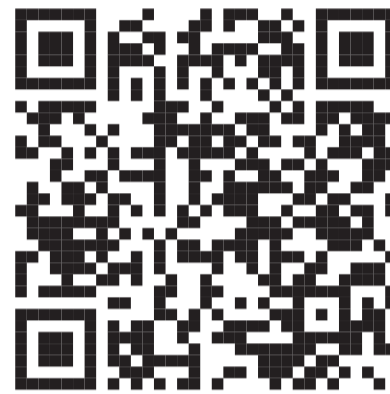
■ Threaded pin DIN 976-1 V2A M8 x 30 mm



Commercial details

Part no.	0732130
EAN/GTIN	4250928416834
Packing unit	100 pcs
Quantity unit	pcs
Weight	0,0098 kg/pc
Product group	13-048
Price unit	100

QR code



Certification



Technical data

Material	Stainless steel
Material type	V2A
Surrounding area	Indoor and outdoor areas

Product details

Thread	M8
Length L	30 mm
Tension load	15,68 kN