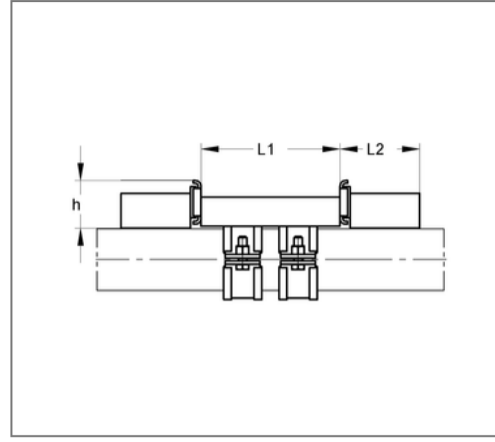
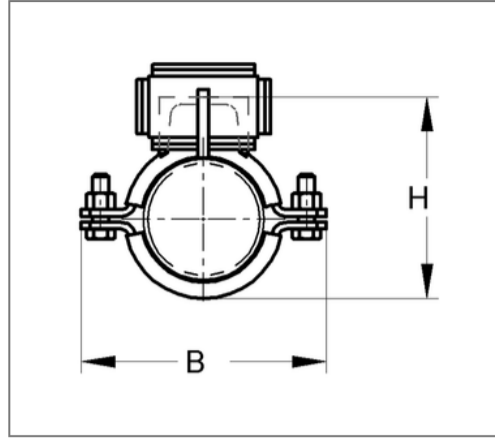
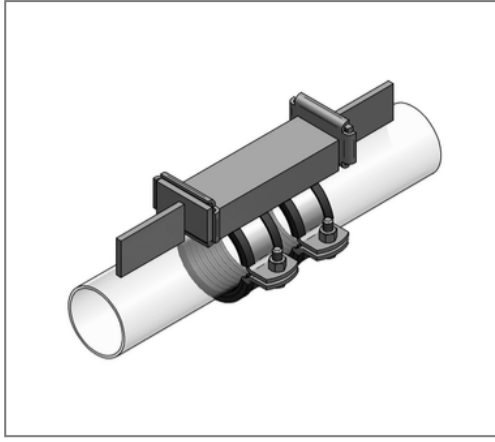


## ■ Fixpoint Type A Size 2 V2A 159 mm TPE with welding nose



### Commercial details

Part no.	9999360
EAN/GTIN	4250928447111
Packing unit	1 pcs
Quantity unit	pcs
Weight	6,60 kg/pc
Product group	13-993
Price unit	1

### QR code



### Certification



### Specification

Application area	Sound-decoupled fixpoint for welding to stainless steel pipes.
Number of pipe clamps	2
Specification	with welding nose
Clip size	2
Profile steel type	U
Pipe clamp type	Titan HD

### Technical data

Material type	V2A
min. temperature resistance	-35 °C
max. temperature resistance	100 °C
Sound insulation lining	TPE
Material carrier and clamps	Steel
Material type carrier and clamps	S235
Material pressure pieces	Stainless steel
Material type pressure pads	V2A
Surface carrier and clamps	galvanized

### Product details

Width B	250 mm
Height H	218 mm
Outer pipe diameter	159 mm
Measure construction h	63 mm
Width material pipe clamp	50 mm
Width profile steel	80 mm
Height profile steel	45 mm
Length of pressure piece L2	115 mm
Length of profile steel L1	200 mm
Load $F_Y$	20 kN

## Product details

---

Thickness material pipe clamp

5 mm