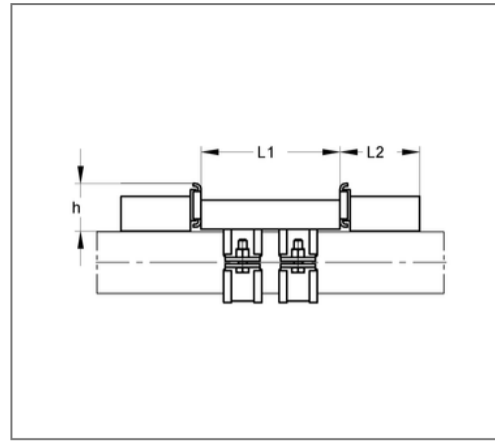
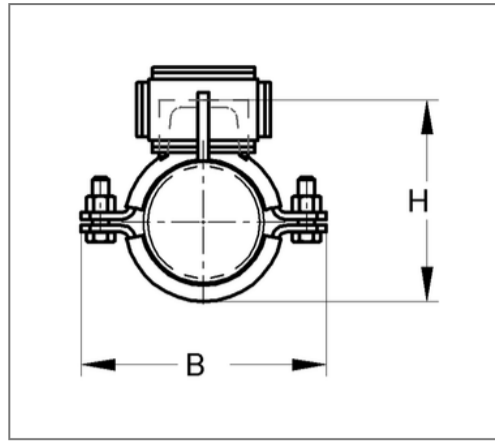
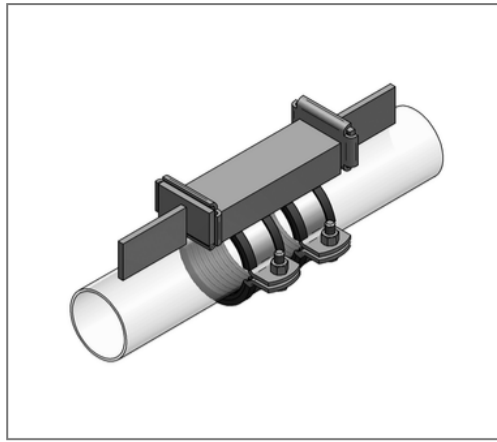


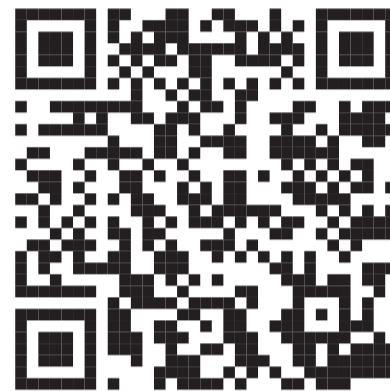
■ Fixpoint Type A Size 2 V2A 133 mm TPE with welding nose



Commercial details

Part no.	9999359
EAN/GTIN	4250928447104
Packing unit	1 pcs
Quantity unit	pcs
Weight	6,21 kg/pc
Product group	13-993
Price unit	1

QR code



Certification



Specification

Application area	Sound-decoupled fixpoint for welding to stainless steel pipes.
Number of pipe clamps	2
Specification	with welding nose
Clip size	2
Profile steel type	U
Pipe clamp type	Titan HD

Technical data

Material type	V2A
min. temperature resistance	-35 °C
max. temperature resistance	100 °C
Sound insulation lining	TPE
Material carrier and clamps	Steel
Material type carrier and clamps	S235
Material pressure pieces	Stainless steel
Material type pressure pads	V2A
Surface carrier and clamps	galvanized

Product details

Width B	223 mm
Height H	191 mm
Outer pipe diameter	133 mm
Measure construction h	63 mm
Width material pipe clamp	50 mm
Width profile steel	80 mm
Height profile steel	45 mm
Length of pressure piece L2	115 mm
Length of profile steel L1	200 mm
Load F_Y	20 kN

Product details

Thickness material pipe clamp

5 mm