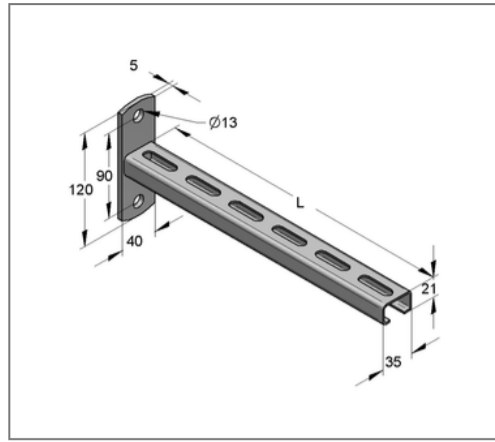
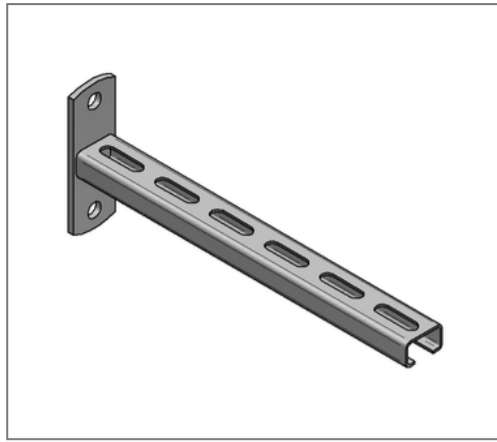


■ Console C-profile 35/21 V2A L= 315 mm Plate vertical



Commercial details

Part no.	0583020
EAN/GTIN	4250928414885
Packing unit	1 pcs
Quantity unit	pcs
Weight	0,566 kg/pc
Product group	13-048
Price unit	1

QR code



Certification



Specification

Application area	Console for the production of cantilever structures for the support of suspended and standing pipe loads.
------------------	---

Technical data

Material	Stainless steel
Material type	V2A
Surrounding area	Indoor and outdoor areas

Product details

Width plate	40 mm
Length plate	120 mm
Hole distance	90 mm
Plate thickness	5 mm
Width profile	35 mm
Profile height	21 mm
Length console L	315 mm
Load F1	0,41 kN
Load F2	0,2 kN
Load q0	1,3 kN/m
Profile thickness	2 mm