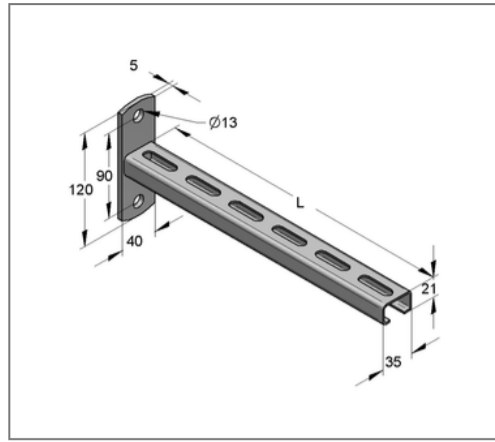
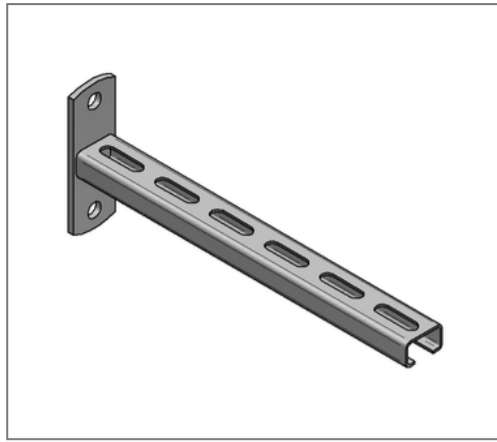


## ■ Console C-profile 35/21 V2A L= 262,5 mm Plate vertical



### Commercial details

Part no.	0582020
EAN/GTIN	4250928414861
Packing unit	1 pcs
Quantity unit	pcs
Weight	0,508 kg/pc
Product group	13-048
Price unit	1

### QR code



### Certification



### Specification

Application area	Console for the production of cantilever structures for the support of suspended and standing pipe loads.
------------------	---

### Technical data

Material	Stainless steel
Material type	V2A
Surrounding area	Indoor and outdoor areas

### Product details

Width plate	40 mm
Length plate	120 mm
Hole distance	90 mm
Plate thickness	5 mm
Width profile	35 mm
Profile height	21 mm
Length console L	262,5 mm
Load F1	0,49 kN
Load F2	0,25 kN
Load q0	1,87 kN/m
Profile thickness	2 mm