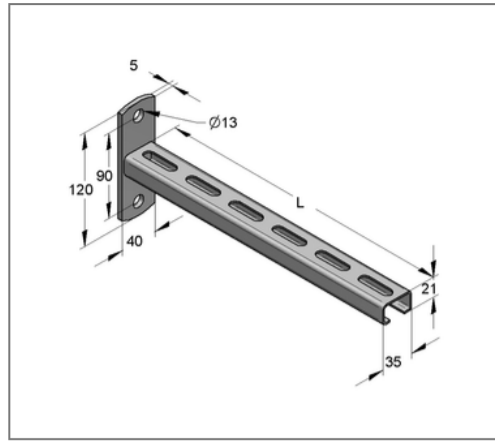
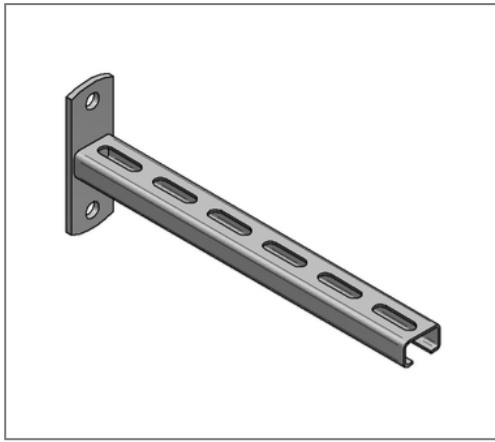


■ Console C-profile 35/21 V4A L= 262,5 mm Plate vertical



Commercial details

Part no.	0582021
EAN/GTIN	4250928414878
Packing unit	1 pcs
Quantity unit	pcs
Weight	0,508 kg/pc
Product group	13-054
Price unit	1

QR code



Certification



Specification

Application area	Console for the production of cantilever structures for the support of suspended and standing pipe loads.
------------------	---

Technical data

Material	Stainless steel
Material type	V4A

Product details

Width plate	40 mm
Length plate	120 mm
Hole distance	90 mm
Plate thickness	5 mm
Width profile	35 mm
Profile height	21 mm
Length console L	262,5 mm
load F1	0,59 kN
load F2	0,29 kN
load q0	2,24 kN/m
Profile thickness	2 mm