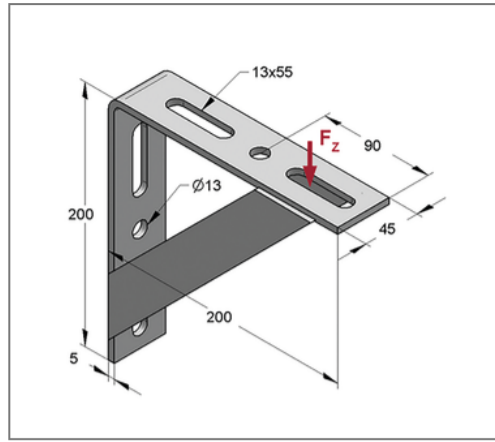
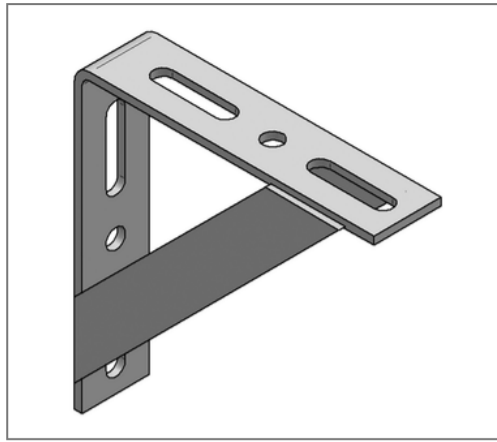


■ Angle bracket with 2 braces V4A 200 x 200 x 5 mm for profile 45



Commercial details

Part no.	0481408
EAN/GTIN	4250928413017
Packing unit	1 pcs
Quantity unit	pcs
Weight	1,37 kg/pc
Product group	13-054
Price unit	1

QR code



Specification

Application area	Angle bracket with two struts, suitable for mounting rails or for wall mounting.
Profile type	45

Technical data

Material	Stainless steel
Material type	V4A
Surrounding area	Indoor and outdoor areas

Product details

Height H	200 mm
Length L	200 mm
Thickness S	5 mm
Load F_z	5 kN
Load at length	120 mm