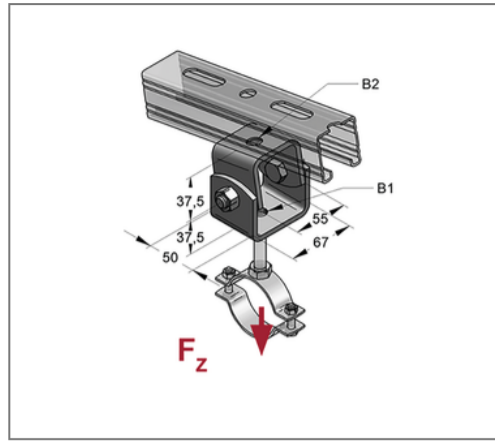
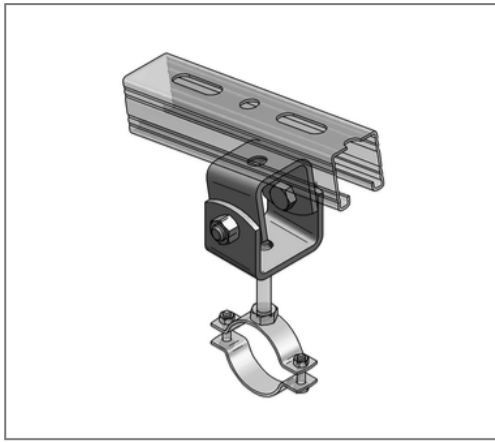


## ■ Joint holder Terminal hole V2A Connection holes for M16 & M16



### Commercial details

Part no.	0480208
EAN/GTIN	4250928412577
Packing unit	1 pcs
Quantity unit	pcs
Weight	0,663 kg/pc
Product group	13-048
Price unit	1

### QR code



### Certification



### Specification

Application Bracket for bracing threaded rods or on sloping area roof and floor structures.

### Technical data

Material	Stainless steel
Material type	V2A
Surrounding area	Indoor and outdoor areas

### Product details

Load $F_z$	10 kN
Connection B1	M16
Connection B2	M16
Terminal hole B1	17 mm
Terminal hole B2	17 mm