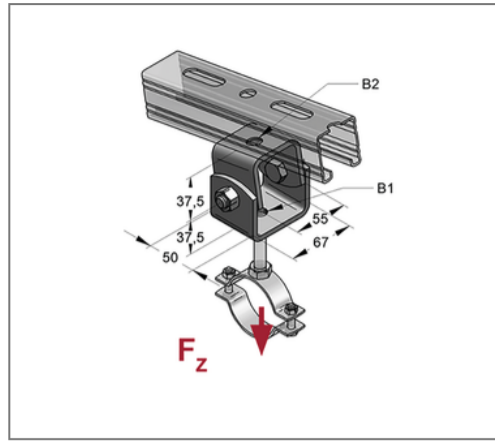
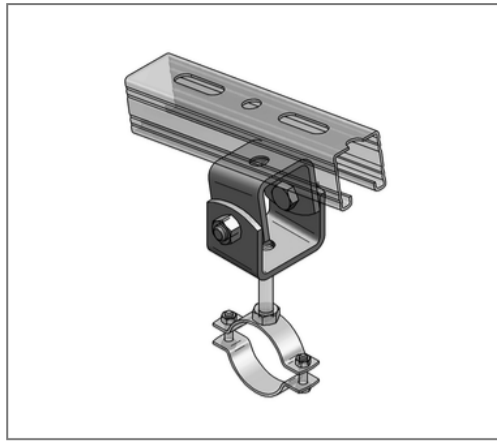


■ Joint holder Terminal hole V2A Connection holes for M8-M12 & M8-M12



Commercial details

Part no.	0480207
EAN/GTIN	4250928412560
Packing unit	1 pcs
Quantity unit	pcs
Weight	0,671 kg/pc
Product group	13-048
Price unit	1

QR code



Certification



Specification

Application Bracket for bracing threaded rods or on sloping area roof and floor structures.

Technical data

Material	Stainless steel
Material type	V2A
Surrounding area	Indoor and outdoor areas

Product details

Load F_z	10 kN
Connection B1	M8-M12
Connection B2	M8-M12
Terminal hole B1	13 mm
Terminal hole B2	13 mm