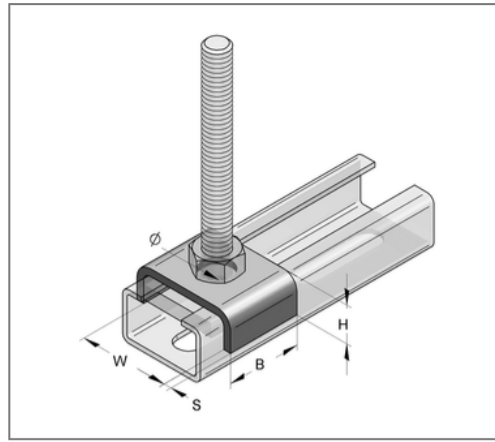
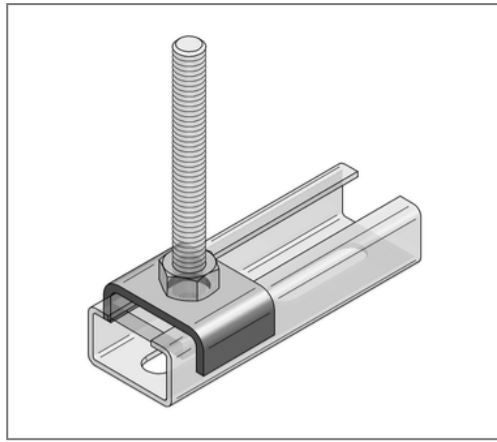


■ Profile holder C-profile 45 V2A Hole 13 mm for thread M12



Commercial details

Part no.	0480629
EAN/GTIN	4250928412768
Packing unit	1 pcs
Quantity unit	pcs
Weight	0,0857 kg/pc
Product group	13-048
Price unit	1

QR code



Certification



Specification

Application area Connecting component for fixing two profile rails lying on top of each other or for rail mounting on the building structure. Prevents the profile rail from bending up.

Profile type 45

Technical data

Material Edelstahl
Material type V2A
Surrounding area Indoor and outdoor areas

Product details

for thread M12
Hole-Ø 13 mm
Length W 46 mm
Width B 35 mm
Height H 15 mm
Material thickness S 4 mm