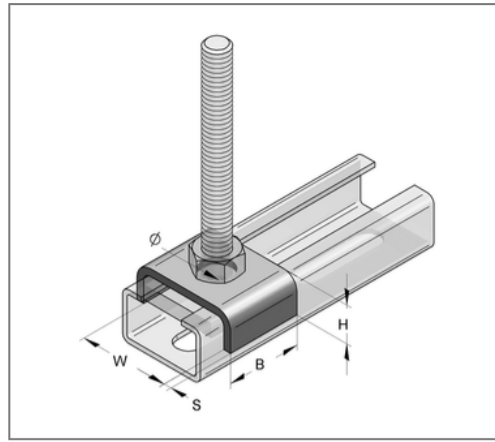
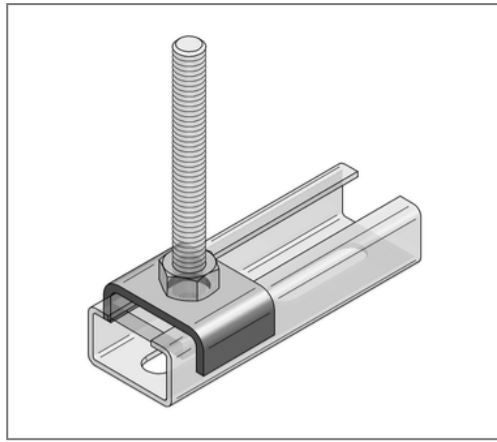


## ■ Profile holder C-profile 35 V2A Hole 13 mm for thread M12



### Commercial details

Part no.	0809511
EAN/GTIN	4250928419354
Packing unit	1 pcs
Quantity unit	pcs
Weight	0,0424 kg/pc
Product group	13-048
Price unit	1

### QR code



### Certification



### Specification

Application area Connecting component for fixing two profile rails lying on top of each other or for rail mounting on the building structure. Prevents the profile rail from bending up.

Profile type 35

### Technical data

Material Edelstahl  
Material type V2A  
Surrounding area Indoor and outdoor areas

### Product details

for thread M12  
Hole-Ø 13 mm  
Length W 36 mm  
Width B 30 mm  
Height H 12 mm  
Material thickness S 3 mm