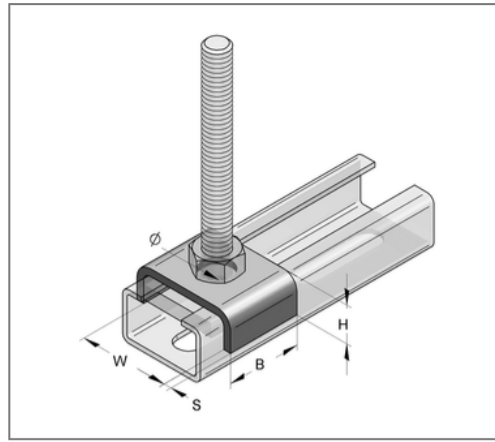
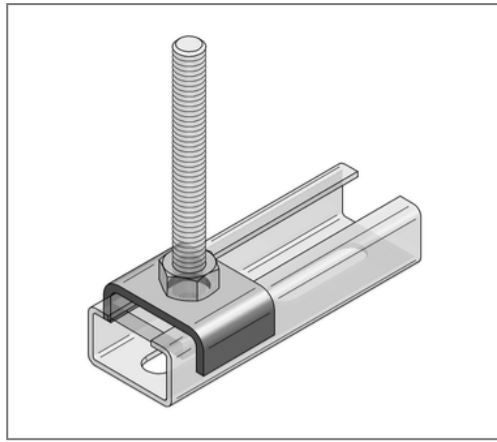


■ Profile holder C-profile 27 V2A Hole 10,5 mm for thread M10



Commercial details

Part no.	0809513
EAN/GTIN	4250928419378
Packing unit	1 pcs
Quantity unit	pcs
Weight	0,0134 kg/pc
Product group	13-048
Price unit	1

QR code



Certification



Specification

Application Connecting component for fixing two profile rails lying on top of each other or for rail mounting on the building structure. Prevents the profile rail from bending up.

Profile type 27

Technical data

Material Edelstahl
Material type V2A
Surrounding area Indoor and outdoor areas

Product details

for thread M10
Hole-Ø 10,5 mm
Length W 28 mm
Width B 20 mm
Height H 8 mm
Material thickness S 2 mm