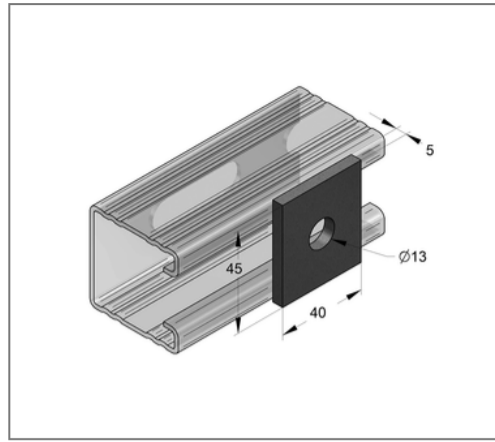
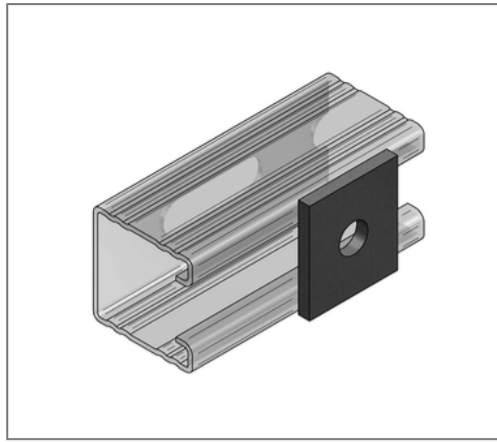


## ■ Perforated plate C-profile 45 V4A Hole 13 mm 45x40x5 mm



### Commercial details

Part no.	0481401
EAN/GTIN	4250928412959
Packing unit	1 pcs
Quantity unit	pcs
Weight	0,0680 kg/pc
Product group	13-054
Price unit	1

### QR code



### Certification



### Specification

Application	Perforated plate without thread for connecting area
Profile type	45

### Technical data

Material	Stainless steel
Material type	V4A
Surrounding area	Indoor and outdoor areas

### Product details

Width	40 mm
Length	45 mm
Hole-Ø	13 mm
Thickness	5 mm
for thread	M12