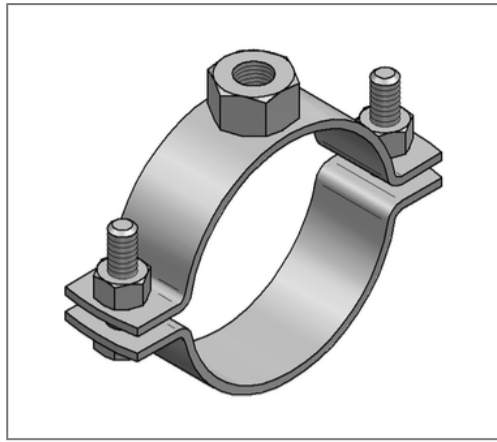


## ■ Pipe clamp Stainless steel V2A 20x1,5 mm 41 - 46 mm M8 unlined



### Commercial details

Part no.	0469170
EAN/GTIN	4250928412164
Packing unit	50 pcs
Quantity unit	pcs
Weight	0,0680 kg/pc
Product group	13-046
Price unit	100

### QR code



### Certification



### Specification

Application area	Pipe clamp for fastening pipes.
Specification	two-part
Connection	M8
Closure	Screwed closure

### Product details

Center distance S	65 mm
Connection height A	8 mm
Width B	78 mm
Height H	51 - 56 mm
Material dimension	20x1,5 mm
Load $F_z$	0,8 kN
Clamping range	41 - 46 mm
Outside pipe diameter inch	val.RohraußendurchmesserZoll.1 1/4 inch
Closure screw	M6

### Technical data

Material	Stainless steel
Material type	V2A
Surrounding area	Indoor and outdoor areas
Sound insulation lining	unlined

### Remark

Delivery time	2 working days, ex works
Notice	Other sizes and connection threads on demand.