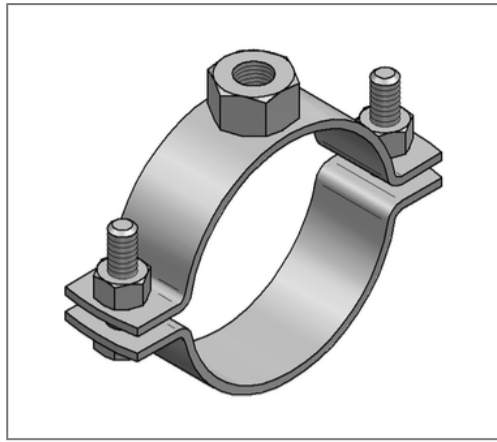


■ Pipe clamp Stainless steel V2A 20x1,5 mm 36 - 40 mm M8 unlined



Commercial details

Part no.	0469171
EAN/GTIN	4250928412171
Packing unit	50 pcs
Quantity unit	pcs
Weight	0,0640 kg/pc
Product group	13-046
Price unit	100

QR code



Certification



Specification

Application area	Pipe clamp for fastening pipes.
Specification	two-part
Connection	M8
Closure	Screwed closure

Product details

Center distance S	59 mm
Connection height A	8 mm
Width B	72 mm
Height H	46 - 50 mm
Material dimension	20x1,5 mm
Load F_z	0,8 kN
Clamping range	36 - 40 mm
Closure screw	M6

Technical data

Material	Stainless steel
Material type	V2A
Surrounding area	Indoor and outdoor areas
Sound insulation lining	unlined

Remark

Delivery time	2 working days, ex works
Notice	Other sizes and connection threads on demand.