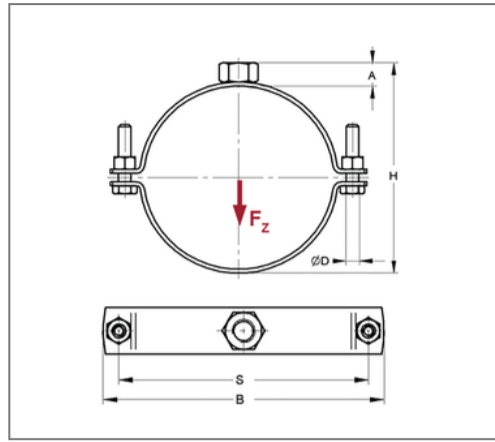
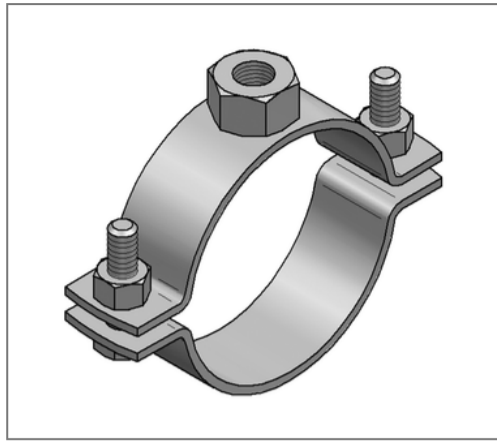


## ■ Pipe clamp Stainless steel V2A 20x1,5 mm 31 - 35 mm M8 unlined



### Commercial details

Part no.	0469178
EAN/GTIN	4250928412218
Packing unit	50 pcs
Quantity unit	pcs
Weight	0,0600 kg/pc
Product group	13-046
Price unit	100

### QR code



### Certification



### Specification

Application area	Pipe clamp for fixing pipes.
Specification	two-part
Connection	M8
Closure	Screwed closure

### Technical data

Material	Stainless steel
Material type	V2A
Sound insulation lining	unlined

### Product details

Center distance S	53 mm
Connection height A	8 mm
Width B	66 mm
Height H	41 - 45 mm
Material dimension	20x1,5 mm
load $F_z$	0,8 kN
Clamping range	31 - 35 mm
Outside pipe diameter inch	1 inch
Closure screw	M6

### Remark

Delivery time	2 working days, ex works
Notice	Other sizes and connection threads on demand.