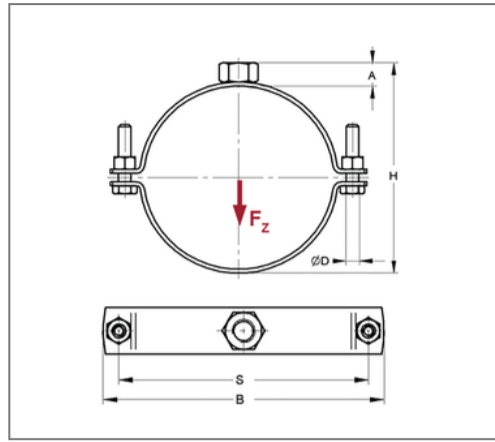
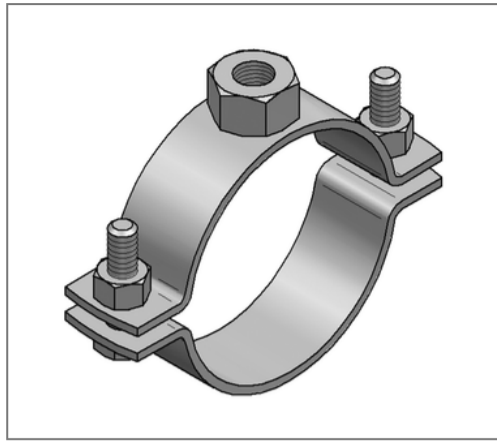


■ Pipe clamp Stainless steel V2A 20x1,5 mm 15 - 20 mm M8 unlined



Commercial details

Part no.	0469175
EAN/GTIN	4250928412188
Packing unit	50 pcs
Quantity unit	pcs
Weight	0,0480 kg/pc
Product group	13-046
Price unit	100

QR code



Certification



Specification

Application area	Pipe clamp for fixing pipes.
Specification	two-part
Connection	M8
Closure	Screwed closure

Technical data

Material	Stainless steel
Material type	V2A
Sound insulation lining	unlined

Product details

Center distance S	36 mm
Connection height A	8 mm
Width B	49 mm
Height H	25 - 30 mm
Material dimension	20x1,5 mm
load F_z	0,8 kN
Clamping range	15 - 20 mm
Outside pipe diameter inch	3/8 inch
Closure screw	M6

Remark

Delivery time	2 working days, ex works
Notice	Other sizes and connection threads on demand.