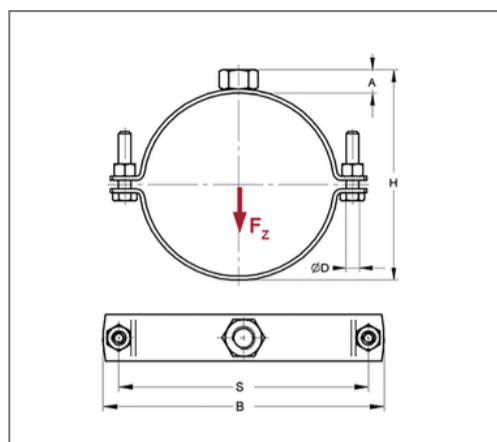
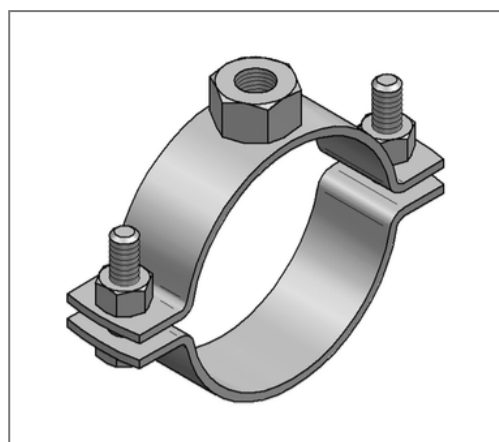


■ Pipe clamp Stainless steel V4A 35x4 mm 272 - 280 mm M16 unlined



Commercial details

Part no.	0493438
EAN/GTIN	4250928413369
Packing unit	1 pcs
Quantity unit	pcs
Weight	1,23 kg/pc
Product group	13-049
Price unit	100

QR code



Certification



Specification

Application area	Pipe clamp for fastening pipes.
Specification	two-part
Connection	M16
Closure	Screwed closure

Technical data

Material	Stainless steel
Material type	V4A
Surrounding area	Indoor and outdoor areas
Sound insulation lining	unlined

Product details

Center distance S	325 mm
Connection height A	19 mm
Width B	354 mm
Height H	295 - 303 mm
Material dimension	35x4 mm
Load F_z	7,2 kN
Clamping range	272 - 280 mm
Outside pipe diameter inch	val.RohraußendurchmesserZoll. 10 inch
Closure screw	M10

Remark

Delivery time	2 working days, ex works
Notice	Other sizes and connection threads on demand.