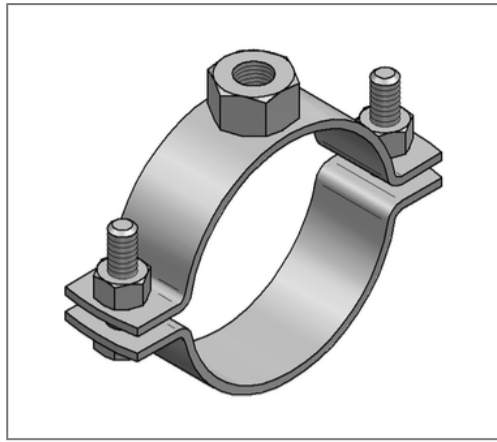


■ Pipe clamp Stainless steel V4A 35x4 mm 216 - 224 mm M16 unlined



Commercial details

Part no.	0493431
EAN/GTIN	4250928413338
Packing unit	1 pcs
Quantity unit	pcs
Weight	1,03 kg/pc
Product group	13-049
Price unit	100

QR code



Certification



Specification

Application area	Pipe clamp for fastening pipes.
Specification	two-part
Connection	M16
Closure	Screwed closure

Product details

Center distance S	269 mm
Connection height A	19 mm
Width B	298 mm
Height H	239 - 247 mm
Material dimension	35x4 mm
Load F_z	7,2 kN
Clamping range	216 - 224 mm
Outside pipe diameter inch	val.RohraußendurchmesserZoll.8 inch
Closure screw	M10

Technical data

Material	Stainless steel
Material type	V4A
Surrounding area	Indoor and outdoor areas
Sound insulation lining	unlined

Remark

Delivery time	2 working days, ex works
Notice	Other sizes and connection threads on demand.