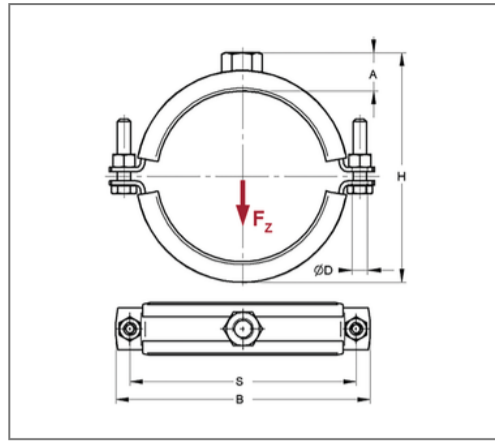
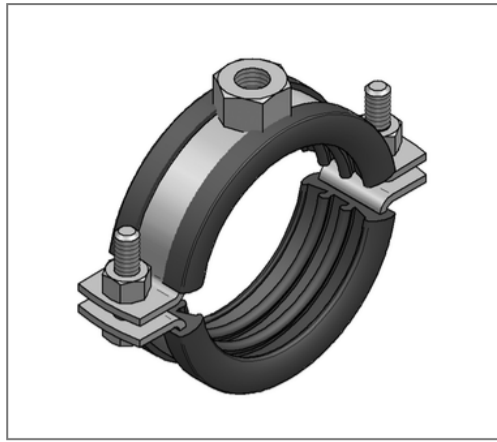


## ■ Pipe clamp Stainless steel V2A 25x3 164 - 168 mm M12 TPE



### Commercial details

Part no.	04663242
EAN/GTIN	4250928411754
Packing unit	50 pcs
Quantity unit	pcs
Weight	0,537 kg/pc
Product group	13-046
Price unit	100

### QR code



### Certification



### Specification

Application area	Pipe clamp for fastening pipes.
Specification	two-part
Connection	M12
Closure	Screwed closure

### Technical data

Material	Stainless steel
Material type	V2A
Surrounding area	Indoor and outdoor areas
Insulation thickness	6 mm
Temperature resistance	-35 °C - 100 °C
Sound insulation lining	TPE

### Product details

Center distance S	212 mm
Connection height A	20 mm
Width B	233 mm
Colour sound insulation lining	black
Height H	191 - 195 mm
Material dimension	25x3 mm
Load $F_z$	1,75 kN
Clamping range	164 - 168 mm
Outside pipe diameter inch	val.RohraußendurchmesserZoll. 6 inch
Closure screw	M8

### Remark

Delivery time	2 working days, ex works
Notice	Other sizes and connection threads or with silicone soundinsulation on demand.