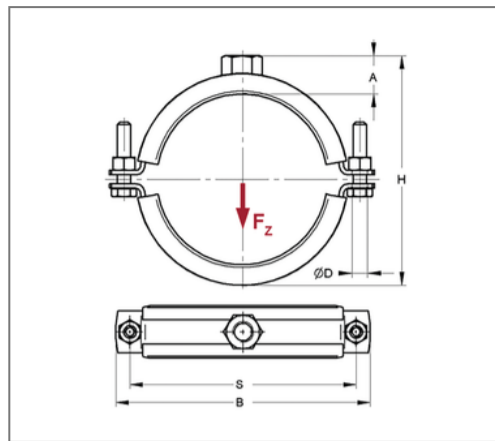
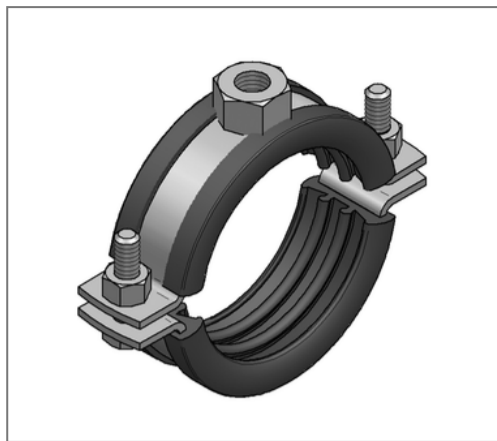


## ■ Pipe clamp Stainless steel V4A 35x4 250 - 257 mm M16 TPE



### Commercial details

Part no.	0492435
EAN/GTIN	4250928413260
Packing unit	1 pcs
Quantity unit	pcs
Weight	1,40 kg/pc
Product group	13-049
Price unit	100

### QR code



### Certification



### Specification

Application area	Pipe clamp for fastening pipes.
Specification	two-part
Connection	M16
Closure	Screwed closure

### Technical data

Material	Stainless steel
Material type	V4A
Surrounding area	Indoor and outdoor areas
Insulation thickness	6 mm
Temperature resistance	-35 °C - 100 °C
Sound insulation lining	TPE

### Product details

Center distance S	312 mm
Connection height A	24 mm
Width B	341 mm
Colour sound insulation lining	black
Height H	280 - 287 mm
Material dimension	35x4 mm
Load $F_z$	4 kN
Clamping range	250 - 257 mm
Closure screw	M10

### Remark

Delivery time	2 working days, ex works
Notice	Other sizes and connection threads or with silicone soundinsulation on demand.