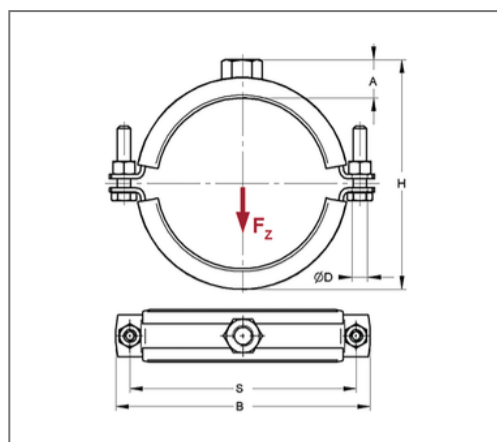
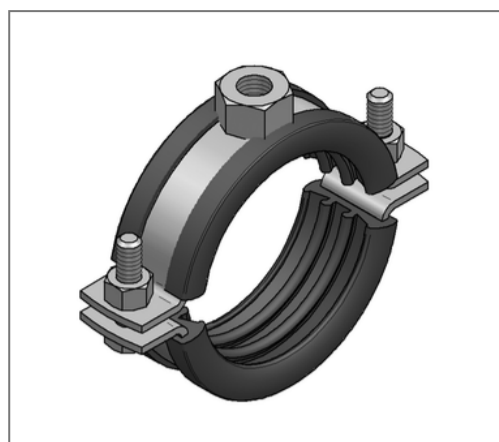


## ■ Pipe clamp Stainless steel V4A 20x1,5 26 - 30 mm M8 TPE



### Commercial details

Part no.	0498176
EAN/GTIN	4250928413796
Packing unit	50 pcs
Quantity unit	pcs
Weight	0,0690 kg/pc
Product group	13-049
Price unit	100

### QR code



### Certification



### Specification

Application area	Pipe clamp for fixing pipes.
Specification	two-part
Connection	M8
Closure	Screwed closure

### Product details

Center distance S	53 mm
Connection height A	11 mm
Width B	66 mm
Colour sound insulation lining	black
Height H	41 - 45 mm
Material dimension	20x1,5 mm
load $F_z$	0,75 kN
Clamping range	26 - 30 mm
Outside pipe diameter inch	3/4 inch
Closure screw	M6

### Technical data

Material	Stainless steel
Material type	V4A
Insulation thickness	3,5 mm
Temperature resistance	-35 °C - 100 °C
Sound insulation lining	TPE

### Remark

Delivery time	2 working days, ex works
Notice	Other sizes and connection threads or with silicone soundinsulation on demand.