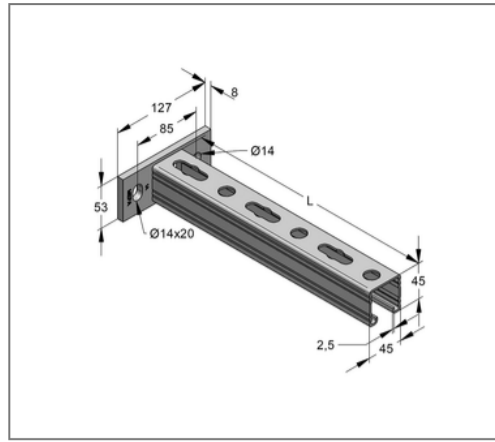
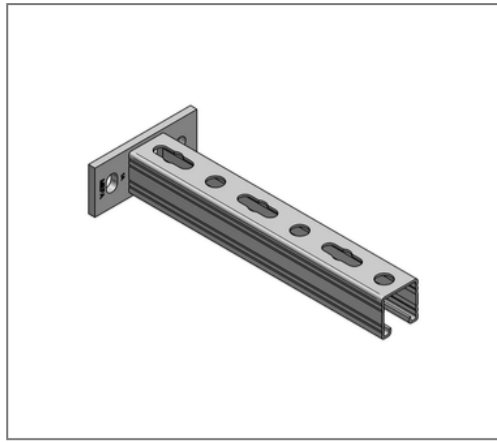


## ■ Console C-profile 45/45 SP L= 210 mm Plate horizontal galv.



### Commercial details

Part no.	9992218
EAN/GTIN	4250928449726
Packing unit	1 pcs
Quantity unit	pcs
Weight	0,988 kg/pc
Product group	02-083
Price unit	1

### QR code



### Specification

Application Console for the production of cantilever structures  
area for the support of suspended and standing pipe  
loads for sprinkler piping.

### Technical data

Material	Steel
Surface	galvanized
Corrosion category	C2 very high
Surrounding area	Indoor area

### Product details

Width plate	50 mm
Length plate	127 mm
Hole distance	85 mm
Plate thickness	6 mm
Width profile	45 mm
Profile height	45 mm
Length console L	210 mm
Elongated hole plate	14x20 mm
Load F1	3,68 kN
Load F2	1,84 kN
Load q0	17,52 kN/m
Profile thickness	2,5 mm