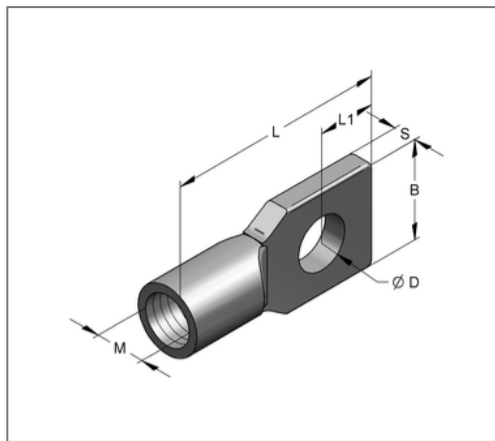
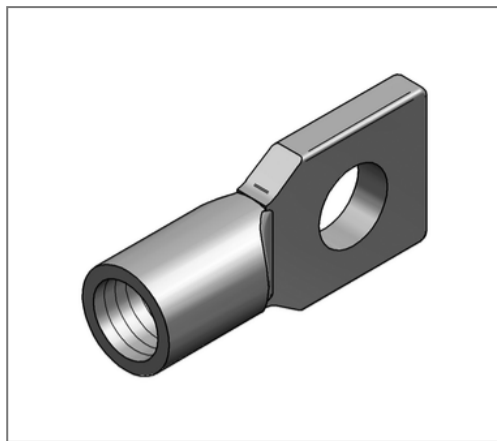


■ Adapter- mounting eye Female thread M8 Hole 12 mm



Commercial details

Part no.	0350152
EAN/GTIN	4250928407719
Packing unit	50 pcs
Quantity unit	pcs
Weight	0,0269 kg/pc
Product group	12-970
Price unit	100

QR code



Specification

Application For mounting the visible pipe clamp, or between
area closure flanges.

Technical data

Material	Malleable cast iron
Surface	galvanized
Corrosion category	C2 very high
Surrounding area	Indoor area

Product details

Female thread M	M8
Load F_z	2 kN
Hole diameter D	12 mm
Material thickness C	4 mm