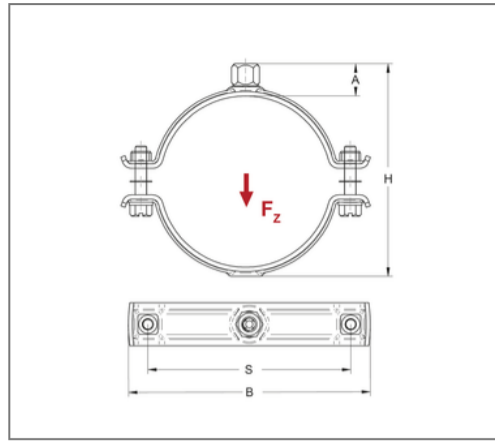


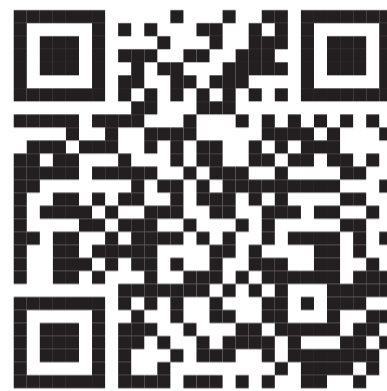
## ■ Pipe clamp HDC 40x4 167 - 173 mm M12 unlined



### Commercial details

Part no.	47300167
EAN/GTIN	4250928458308
Packing unit	10 pcs
Quantity unit	pcs
Weight	0,903 kg/pc
Product group	12-034
Price unit	100

### QR code



### Certification



### Specification

Brand	Jiangmen Eurofix
Application	Pipe clamp with connection thread according to area sprinkler guidelines for Sprinkler systems.
Specification	two-part
Connection	M12
Closure	Screw coupling

### Technical data

Material	Steel
Surface	galvanized
Corrosion category	C2 very high
Surrounding area	Indoor area
Sound insulation lining	unlined

### Product details

Center distance S	212 mm
Connection height A	19 mm
Width B	242 mm
Height H	193 mm
Material dimension	40x4 mm
Load $F_z$	5 kN
min. outside pipe diameter	167 mm
max. outer pipe diameter	173 mm
Outside pipe diameter inch	val.RohraußendurchmesserZoll.6 inch
Closure screw	M12
Tightening torque	10 Nm