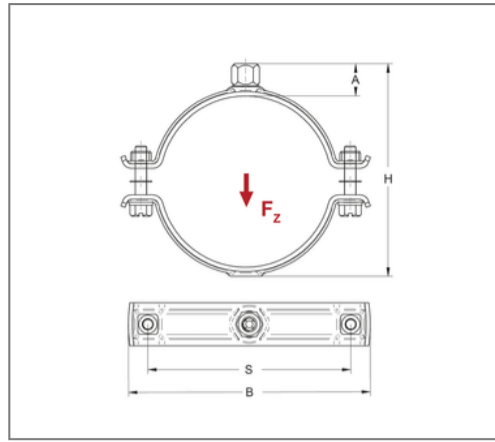


■ Pipe clamp HDC 30x3 110 - 116 mm M10 unlined



Commercial details

Part no.	47300110
EAN/GTIN	4250928458285
Packing unit	25 pcs
Quantity unit	pcs
Weight	0,365 kg/pc
Product group	12-034
Price unit	100

QR code



Certification



Specification

Brand	Jiangmen Eurofix
Application	Pipe clamp with connection thread according to area sprinkler guidelines for Sprinkler systems.
Specification	two-part
Connection	M10
Closure	Screw coupling

Technical data

Material	Steel
Surface	galvanized
Corrosion category	C2 very high
Surrounding area	Indoor area
Sound insulation lining	unlined

Product details

Center distance S	144 mm
Connection height A	20 mm
Width B	171 mm
Height H	140 mm
Material dimension	30x3 mm
Load F_z	3,5 kN
min. outside pipe diameter	110 mm
max. outer pipe diameter	116 mm
Outside pipe diameter inch	val.RohraußendurchmesserZoll.4 inch
Closure screw	M8
Tightening torque	3 Nm