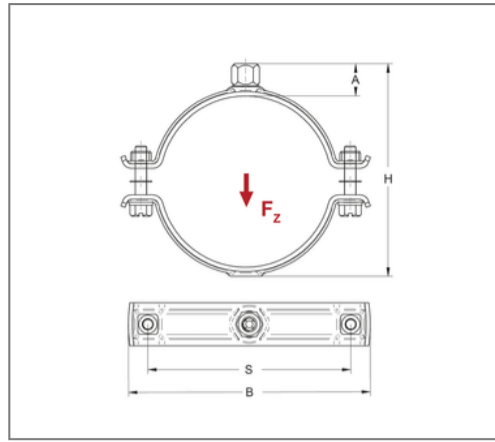


## ■ Pipe clamp HDC 30x3 76 - 81 mm M10 unlined



### Commercial details

|               |               |
|---------------|---------------|
| Part no.      | 47300076      |
| EAN/GTIN      | 4250928458261 |
| Packing unit  | 25 pcs        |
| Quantity unit | pcs           |
| Weight        | 0,292 kg/pc   |
| Product group | 12-034        |
| Price unit    | 100           |

### QR code



### Certification



### Specification

|               |   |
|---------------|---|
| Brand         | Jiangmen Eurofix  |
| Application   | Pipe clamp with connection thread according to area sprinkler guidelines for Sprinkler systems. |
| Specification | two-part  |
| Connection    | M10   |
| Closure       | Screw coupling  |

### Technical data

|                         |              |
|-------------------------|--------------|
| Material                | Steel        |
| Surface                 | galvanized   |
| Corrosion category      | C2 very high |
| Surrounding area        | Indoor area  |
| Sound insulation lining | unlined      |

### Product details

|                            |  |
|----------------------------|--|
| Center distance S          | 108 mm                                     |
| Connection height A        | 20 mm                                      |
| Width B                    | 135 mm                                     |
| Height H                   | 105 mm                                     |
| Material dimension         | 30x3 mm                                    |
| Load $F_z$                 | 3,5 kN                                     |
| min. outside pipe diameter | 76 mm                                      |
| max. outer pipe diameter   | 81 mm                                      |
| Outside pipe diameter inch | val.RohraußendurchmesserZoll.2<br>1/2 inch |
| Closure screw              | M8   |
| Tightening torque          | 3 Nm                                       |