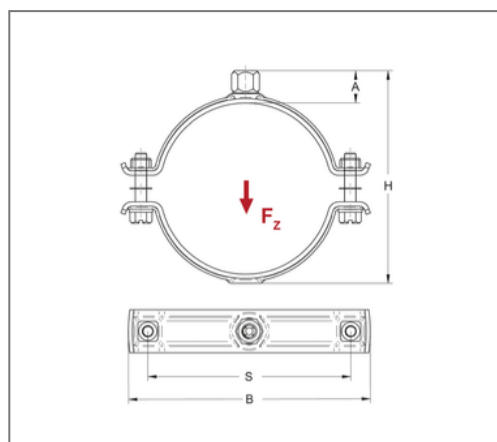


■ Pipe clamp HDC 30x2,5 25 - 30 mm M10 unlined



Commercial details

Part no.	47300027
EAN/GTIN	4250928458216
Packing unit	50 pcs
Quantity unit	pcs
Weight	0,148 kg/pc
Product group	12-034
Price unit	100

QR code



Certification



Specification

Brand	Jiangmen Eurofix
Application	Pipe clamp with connection thread according to area sprinkler guidelines for Sprinkler systems.
Specification	two-part
Connection	M10
Closure	Screw coupling

Technical data

Material	Steel
Surface	galvanized
Corrosion category	C2 very high
Surrounding area	Indoor area
Sound insulation lining	unlined

Product details

Center distance S	50 mm
Connection height A	19 mm
Width B	71 mm
Height H	52 mm
Material dimension	30x2,5 mm
Load F_z	2,5 kN
min. outside pipe diameter	25 mm
max. outer pipe diameter	30 mm
Outside pipe diameter inch	val.RohraußendurchmesserZoll. 3/4 inch
Closure screw	M8
Tightening torque	3 Nm